

June 11, 2021

IMPERIAL COMMUNITY COLLEGE DISTRICT
IMPERIAL VALLEY COLLEGE
BUILDING 200, 300 AND 800 MODERNIZATION

ADDENDUM #02

THE FOLLOWING ITEMS ARE LISTED AS CORRECTIONS OR CLARIFICATIONS TO THE CONSTRUCTION DOCUMENTS.

BID PROPOSAL

1. Paragraph 1.3, Allowance. The dollar amount listed is in error. The correct dollar amount for Allowances is described in Section 01 21 00 Allowances.

SUBCONTRACTOR LIST

1. The subcontractor list requires the Subcontractor Address and DIR number in error. Contractor shall provide the City in lieu of the complete address. Contractor is not required to provide the DIR number at the time of bid. Contractor shall provide the DIR number of all listed subcontractors within 48 hours of bid deadline.

HAZARDOUS MATERIAL REPORT

1. The Hazardous Material Report is included in this addendum for reference only. Contractor shall remove all hazardous materials as described in the Demolition Plans.

SECTION 09 65 19.13 RUBBER-RESILIENT TILE FLOORING AND BASE

1. Paragraph 2.3 – Rubber Floor Tiling with Smooth Profiles, A.5, B.5 and C.5 describe the tile size in error. The correct tile size shall be 18” x 18”.

SECTION 23 00 00 HVAC

1. LG is an approved alternate manufacturer for the HVAC equipment for this project. If Contractor elects to provide LG equipment, Contractor shall be responsible for all engineering fees to redesign system and all engineering required to confirm compliance with specifications.

DRAWINGS ARCHITECTURAL

1. SHEET AD-1_AS6 SITE STAGING PLAN
 - a. The phasing plans do not incorporate the site utility work in error. All site electrical work, wet and dry utilities shall be accomplished during Phase I. Contractor shall stub all utilities

-
- serving Building 300 (Phase II) and Building 800 (Phase III) to inside the temporary construction fencing during Phase I.
2. SHEET AD-1_A2.1.3 – FLOOR PLAN - ARCHITECTURAL
 - a. Sheet AD-1_A2.1.3 shall be replaced by Drawing AD-2_A2.1.3 attached to this addendum. All changes are clouded.
 3. SHEET AD-1_A2.2 – ARCHITECTURAL SECTIONS
 - a. Keynote 17 is in error. Change Keynote 17 to read: “6” Metal wall bracing @ 48” O.C.”
 4. SHEET AD-1_A3.1.3 – FLOOR PLAN - ARCHITECTURAL
 - a. Sheet AD-1_A3.1.3 shall be replaced by Drawing AD-2_A3.1.3 attached to this addendum. All changes are clouded.
 2. SHEET AD-1_A8.1.3 – FLOOR PLAN - ARCHITECTURAL
 - a. Sheet AD-1_A8.1.3 shall be replaced by Drawing AD-2_A8.1.3 attached to this addendum. All changes are clouded.
 3. SHEET AX1.1 – ROOM FINISH SCHEDULE
 - a. Sheet AX1.1 shows flooring for Building 200, Rooms 15 - 23 as rubber tile in error. Flooring for Rooms 15 - 23 shall be carpet tile.
 - b. Sheet AX1.1 shows flooring for Building 300, Room 13 Music Lab as rubber tile in error. Flooring for Room 13 shall be carpet tile.

DRAWINGS STRUCTURAL

1. SHEET S1.0 – TYPICAL STRUCTURAL DETAILS
 - a. Sheet S1.0 was omitted from the drawings in error. Sheet S1.0 is included in this addendum.
2. SHEET S2.2 – FRAMING PLAN
 - a. Keynote 2 references Detail 6/S0.2 in error. Change Detail Reference to C/AX6.1.
3. SHEET S3.2 – FRAMING PLAN
 - a. Keynote 2 references Detail 6/S0.2 in error. Change Detail Reference to C/AX6.1.
4. SHEET S8.2 – FRAMING PLAN
 - a. Keynote 2 references Detail 6/S0.2 in error. Change Detail Reference to C/AX6.1.

END OF ADDENDUM #02



Jimmie A. Sanders



Limited Asbestos and Lead Paint Sampling Report

Imperial Valley College

12/16/2019

Requested Sampling Areas:

Building 200, 300, 800 – Limited Interior Sampling Areas

General Information

Owner:

Imperial Valley College

380 East Aten Road

Imperial, CA 92251

Report Prepared for:

Jimmy Sanders

Sanders Inc.

1102 Industry Way, Suite A

El Centro, CA 92243

Report Prepared / Reviewed By:

David Christy

WEST - Sr. Partner

Certified Asbestos Consultant 92-0703



Asbestos Sampling Report - Table of Contents

Executive Summary	3
Asbestos Inspection – General Information	3
Asbestos Building Inspection Findings	3
Inspection Findings – Buildings 200, 300, 800	4
Survey Methodology	5
Asbestos Bulk Sampling Strategy	5
Sampling Method / Bulk Sampling	5
Asbestos Bulk Sample Analysis	5
Deviations in Sample Results	5
Lead Paint / Ceramic Tiles	6
Definitions	6
General Limitations	7
Detailed Asbestos Sampling Breakdown	8-13

Attachment One - Asbestos Laboratory Sheets & Chains of Custodies

Attachment Two – Limited Lead Based Paint Sampling Report

Executive Summary

Sampling Date:	12/16/19 (Limited Asbestos Sampling) – 12/16/19 (Limited Lead Paint Sampling)
Survey Description:	200, 300, 800 Buildings (limited interior areas as requested by owner)
Sampling Scope:	As requested by owner and listed within accepted WEST proposal and agreement Including: interiors, limited exteriors, No roofing, Mechanical (where accessible)
Services Complete:	Conduct a limited (non-destructive) asbestos inspection, laboratory Analysis, reporting as listed above of areas. Conduct limited XRF lead paint sampling.
Laboratory Analysis:	EMSL Analytical, San Diego, California NVLAP and California Accredited Laboratory to provide: “Asbestos Analysis of Bulk Materials via EPA 600/R-93/116 Method using Polarized Light Microscopy (PLM)
On-site Sampling:	David Christy, a State of California Certified Asbestos Consultant (92-0703)
Additional Sampling:	Lead Paint Testing (XRF Sampling) Completed by Allstate Services (report attached)
General Warrantee:	WEST warrants the findings and conclusions contained herein have been promulgated in accordance with generally accepted asbestos inspection and evaluation methods for the referenced site.
Access Note:	WEST was given limited access for areas outlined for sampling within the scope of inspection.

Asbestos Inspection – General Information

Any suspect building materials encountered by WEST during the asbestos inspection, found within the specific areas called out for inspection / sampling, were collected and analyzed for the presence of asbestos. The samples of the various building materials that were collected were analyzed using polarized light microscopy (PLM). A breakdown of laboratory analysis for each asbestos sample collected is included in the attached report. If any material containing asbestos will be disturbed, appropriate local, state, and federal regulations and guidelines must be followed.

WEST collected samples of suspect building materials that were accessible at the time of the inspection as found and noted by the on-site inspector. WEST utilized EMSL Analytical located in San Diego, California, a NVLAP and California DHS Accredited Laboratory to provide: “Asbestos Analysis of Bulk Materials via EPA 600/R-93/116 Method using Polarized Light Microscopy (PLM). WEST warrants that the findings and conclusions contained herein have been promulgated in accordance with generally accepted asbestos hazard evaluation methods for the site referenced in this report.

Asbestos Building Inspection Findings

Based on the above collected information and the sample analysis attached to this report, asbestos was found as part of the asbestos inspections (ACM).

There are assumptions made within this sampling report grouping similar building materials with similar age and appearance together for means of building material identification and grouping for sampling. This should also be followed while conducting asbestos removal of these materials. If any building material is discovered to be suspect of containing asbestos, and it was not accessible or identified in this building inspection report, additional samples should be collected and analyzed and the building inspection report and data should subsequently be updated. California Code of Regulations Title 8, Section 1529 states that asbestos containing material and presumed asbestos containing material that will be disturbed during demolition, construction, renovation, etc. must be handled according to the standard. The state of California states that a material that contains one-tenth of one percent asbestos is classified as a regulated asbestos material. **Additional investigation and sampling are recommended if any newly discovered building material is identified that is not called out within this asbestos sampling report.**

Buildings 200, 300, 800

Materials discovered to contain asbestos (known and assumed – asbestos and lead paint)

Small tank Insulation / 200, 300, 800 Mech Rooms (near ceiling) – (50% - 60% Chrysotile) – ACM,

9x9 floor tile – (5% - 8% Chrysotile) – ACM,

Note: Asbestos floor tile is considered throughout buildings 200, 300, 800 – some exposed and some under newer floor tile / carpet – all areas of all three buildings.

Floor tile Mastic – (3% - 4% Chrysotile) – ACM,

Note: Asbestos floor tile mastic is considered throughout buildings 200, 300, 800 – under original 9x9 floor tile and also under newer floor tile / carpet – all areas of all three buildings.

Assumed: All Building materials not sampled within this sampling report (undiscovered building materials -or- building materials outside of the sampling scope of work)

Pipe Insulation / Duct Insulations throughout this building were observed to be fiberglass insulated that were exposed and visible. Any insulations discovered that do not appear to be fiberglass shall be assumed asbestos containing (greater than 1%) until proven non-asbestos through additional investigation, bulk sampling, and bulk sampling analysis.

Interiors of any / all mechanical units and boilers units were not inspected or sampled since the units were active and functioning at the time of the inspection. Interiors of such units should be assumed to contain asbestos insulations and gaskets.

Roof sampling was not performed, outside of sampling scope of work.

Any building materials not listed within this sampling report for the referenced locations, whether outside sampling scope of work or newly discovered, shall be assumed to be asbestos containing greater than 1%. Additional investigation and sampling are recommended for these types of unreported materials. Asbestos bulk sampling and inspection services must be completed by State of California Certified personnel (Site Surveillance Technician or Certified asbestos Consultant). All laboratory analysis and reporting must be completed by a licensed and certified laboratory facility.

Lead Paint: No Lead based paint or lead glazed ceramic tiles were found based on XRF sampling conducted by Allstate Services.

Special Notation:

At the time of the survey, only specific building materials were called out for asbestos bulk sampling within the buildings listed within this sampling report. The site was active with staff the day of the on-site inspection, and was conducted during normal hours. WEST was limited to the type and location of samples collected. The sampling as completed was **non destructive sampling** relating to asbestos bulk sampling from concealed areas and above ceilings / ceiling tiles within the building surveyed since the building was occupied and functional (functioning school building) at the time of the inspections. Samples were collected to the best of the inspector's ability and access while causing minimum disturbance to surrounding areas. Only bulk sampling of exposed and accessible building materials from areas granted access were completed.

Survey Methodology

The sampling as completed included **non destructive sampling** to conduct asbestos bulk sampling from concealed areas and above ceilings / ceiling tiles within the building surveyed since the building was occupied and functional (functioning building) at the time of the inspections - partially occupied with limited staff. Samples were collected to the best of the inspector’s ability and access. There are assumptions made within this sampling report as it relates to building materials not accessible at the time of the inspections. Sampling of these areas was conducted at access points that were previously in place or in direct view of the on-site inspector. The surveyor proceeded to complete a visual inspection of the surrounding surfaces and the building components that were found at the building site as part of the asbestos sampling. Following the review of each inspection location that was remaining at the time of the inspection, the surveyor then made inspection notes while still in the field. These notes recorded data on the presence, type and general condition of any suspected ACMs encountered, and on a system-by-system basis as outlined in this report. The sampling analysis breakdowns are provided in this report.

Asbestos Bulk Sampling Strategy

The collection of bulk samples was performed in sufficient frequency to obtain only a basic pattern as to the use of possible asbestos containing materials (ACM) within the limited areas of the interiors, exteriors, and the roofs for the buildings called out for inspections. It is known however, that inconsistencies within construction or later repair or renovation may result in deviation from this general pattern. For this reason, it is not possible to positively identify the presence and extent of asbestos building materials associated with the areas sampled without inspecting and sampling every square foot of all building surfaces and components encountered during the inspection process. As this was outside of the scope of this assignment, identification of asbestos-suspect materials was based on the surveyor's own experience and knowledge of the use of asbestos in buildings, the age, and the general appearance of the materials encountered. A complete list of sampled materials is attached to this report.

Sampling Method – Bulk Sampling

Wherever the collection of a bulk sample became necessary, samples were collected using general hand tools and placed in plastic zip bags, which were individually labelled with a sample number and description of the sampling location. This information was also recorded on a transmittal form. One copy of this form remained with the samples when transported to the laboratory. The second copy was retained by the surveyor. Care was used by the surveyor (wherever possible) to collect samples at a location which produced the least visual impact or would be least objectionable to building occupants.

Asbestos Bulk Sample Analysis

Each of the bulk samples collected were analysed by EMSL Analytical located in San Diego, California, using a combination of dispersion staining and polarized light microscopy. Sample preparation and analytical procedures follow the protocol outlined for NIOSH Method 9002 for bulk asbestos analysis, and the US EPA Method 600/R-93/116 dated July, 1993. Each of these methods is recognized by both federal and provincial authorities. For quality control purposes, the laboratory used for the sample asbestos analysis is certified under the National Voluntary Laboratory Accreditation Program (NVLAP) to perform asbestos analysis of bulk samples.

Deviations in Sample Results

Due to the removal and replacement of individual building materials over the course of a building's life or due to the installation of visually similar building products, it is possible that individual building surfaces may not be characteristic of the samples collected. Every effort was made to collect samples from typical building materials and components as found during the on-site sample collection. If any building material is discovered to be suspect of containing asbestos, and it was not accessible or identified in this building inspection report, additional samples should be collected and analyzed and the building inspection report and data should subsequently be updated.

Lead Paint / Lead Ceramic Tile

CAL-OSHA Regulations (Title 8 CCR Section 1532.1 and 29 CFR 1926.62) apply to all construction work where an employee may be occupationally exposed to lead, and therefore may be applicable to renovation or demolition projects involving paints with any concentration of lead. When conducting construction activities, **which disturb lead in any amount or create an exposure to workers**, the employer is required to provide worker protection and conduct exposure assessments. All California employers should consult Cal-OSHA Regulations at Title 8, 1532.1, “Lead in Construction” standards for complete requirements.

Since the building listed above is undergoing renovation / demolition, **all construction personnel** performing the construction work should be properly trained in lead-related construction. California regulations define lead-related construction work as, “Construction, alteration, painting, demolition, salvage, renovation, repair, or maintenance of any residential, public or commercial building, including preparation and cleanup, which, by using or disturbing lead containing material or soil, may result in significant exposure of individuals to lead.”

To also protect against this risk of lead exposure, on April 22, 2008, EPA issued the [Renovation, Repair and Painting Rule](#). It requires that firms performing renovation, repair, and painting projects that disturb lead-based paint in pre-1978 homes, child care facilities and **schools** be certified by EPA and that they use certified renovators who are trained by EPA-approved training providers to follow lead-safe work practices. Individuals can become certified renovators by taking an eight-hour training course from an EPA-approved training provider.

Lead based paint (LBP) sampling and identification was conducted as part of this scope of work.

Definitions of ACM

Asbestos Containing Material (ACM):

According to EPA, OSHA and Cal-OSHA, asbestos containing material is a material that has greater than 1% asbestos.

Asbestos Containing Building Material (ACBM):

For purposes of AHERA, material with greater than 1% asbestos that was used on the interior construction of a school is called asbestos containing building material (ACBM).

Asbestos Containing Construction Material (ACCM):

According to Title 8, Section 1529, asbestos containing construction material means any manufactured construction material which contains more than 0.1 % asbestos by weight.

Presumed Asbestos Containing Material (PACM):

Any thermal system insulation and surfacing material found in buildings constructed no later than 1980. The designation of a material as PACM may be rebutted pursuant to Title 8, section 1529, subsection (k)(5).

Regulated Asbestos Containing Material (RACM):

The EPA in the National Emission Standard for Hazardous Air Pollutants (NESHAP) defines RACM as (a) Friable asbestos containing material, (b) Category I non-friable asbestos containing material that has become friable, (c) Category I non-friable asbestos containing material that will be or has been subjected to sanding, grinding, cutting or abrading, or (d) Category II non-friable asbestos containing material that has a high probability of becoming or has become crumbled, pulverized, or reduced to powder by the forces expected to act on the material in the course of demolition or renovation operations regulated by Subpart M.

General Limitations

The survey as completed was of sufficient depth to provide a screening for the purpose of establishing the presence of asbestos containing materials (ACM) within the limited areas inspected within the building. Due to the nature of building construction some limitations exist as to the possible extent and accuracy of this survey. Such limitations include any inconsistencies in the use of materials during construction or later repairs or renovations that result in deviations from the general pattern. However, without sampling every square foot of building materials, it is not possible to rule out such limitations.

As this is not a practical approach to sample every square foot of building material, the survey was completed based on the collection of a sufficient number of samples representing the building materials listed in this sampling report and visually encountered. Every effort was made to collect these samples from typical or representative materials as they were encountered.

The collection of data, quantification of any damage, and confirmation of existing conditions, is limited by the surveyor's ability to access and visually inspect conditions at each inspection location. The collection of data above fixed or mechanically fastened ceilings, or from within concealed cavities or shafts, is therefore limited by the availability and location of access points, hatches, etc. Areas that were not accessed include but not limited to inside wall cavities, above ceilings, above fixed ceiling tiles, areas behind security fences, areas behind security covered windows, and non-exposed mechanical equipment.

The survey, as completed, did not include demolition and dismantlement of equipment and building materials. The sampling was conducted to the best ability and safety of the on-site inspectors on-site.

The field observations, measurements, and analysis are considered sufficient in detail and scope to form a reasonable basis for asbestos containing materials (ACM) overview of the buildings in question as it relates to the building systems. Western Environmental & Safety Technologies LLC (WEST) warrants that the findings and conclusions contained herein have been promulgated in accordance with generally accepted asbestos hazard evaluation methods, for the site referenced in this report.

These evaluation methods have been developed to provide the client with information regarding apparent indications of existing or potentially hazardous asbestos conditions relating to the property and are necessarily limited to the conditions observed and information available at the time of the site visit and research. There is a distinct possibility that conditions may exist which could not be reasonably identified within the scope of the assessment or which were not apparent during the site visit.

Western Environmental & Safety Technologies LLC (WEST) believes that the information collected during the survey period concerning this property is reliable. However, Western Environmental & Safety Technologies LLC (WEST) cannot warrant or guarantee that the information provided is absolutely complete or accurate beyond the current asbestos consulting industry standards.

The conclusions and recommendations presented in this report are based upon reasonable visual inspection, site investigation, and bulk sampling of the property and research of available materials within the scope and budget of the contract. The information presented is relevant to the dates of our site visit and should not be relied upon to represent conditions at later dates. The opinions expressed herein are based on information obtained during our on-site inspection efforts and on our experience. If additional information becomes available, we request the opportunity to review the information and modify our opinions, if necessary.

Our services have been provided using that degree of care and skill ordinarily exercised, under similar circumstances, by environmental consultants practicing in this or similar localities. No other warranty, expressed or implied, is made as to the professional opinions presented in this report. Western Environmental & Safety Technologies LLC (WEST) is not responsible for the conclusions, opinions, or recommendations made by others based on this information.

Report Prepared By and Laboratory Sample Analysis Reviewed By:



12/19/19

David Christy

Review Dates

Certified Asbestos Consultant - CAC# 92-0703

Tel: (858) 271-1842 (office)

Tel: (619) 571-3987 (cell)

FAX: (858) 271-1856

Email: gowestdc@msn.com

Limited Asbestos Sampling as Requested
Buildings 200, 300, 800 - Imperial Valley College (IVC)
Asbestos Bulk Sampling Breakdown

Sample #	Sample Date	Area	Sample Location	Material Sampled	Results
01	12/16/19	200	Room 205	2x4 Ceiling Tiles	None Detected
02	12/16/19	200	Room 205	2x4 Ceiling Tiles	None Detected
03	12/16/19	200	Room 205	Wall Joint compound	None Detected
04DW	12/16/19	200	Room 205	Drywall wall core (drywall)	None Detected
04T	12/16/19	200	Room 205	Drywall wall core (tape)	None Detected
04T	12/16/19	200	Room 205	Drywall wall core (texture)	None Detected
05CB	12/16/19	200	Room 205	Cove base	None Detected
05M	12/16/19	200	Room 205	Cove base mastic	None Detected
06	12/16/19	200	Room 205	Carpet glue	None Detected
07	12/16/19	200	Exterior North	Exterior block grout (mortar)	None Detected
08	12/16/19	200	Exterior East	Exterior block grout (mortar)	None Detected
09	12/16/19	200	Exterior North	Exterior block	None Detected
10	12/16/19	200	Exterior East	Exterior block	None Detected
11	12/16/19	200	Room 206	12x12 Ceiling Tile	None Detected
12FT	12/16/19	200	Room 206	9x9 floor tile	8% Chrysotile
12M	12/16/19	200	Room 206	Floor tile mastic	3% Chrysotile
13	12/16/19	200	Room 206	Wall plaster core	None Detected
14SC	12/16/19	200	Room 208	Wall plaster core (skim)	None Detected
14P	12/16/19	200	Room 208	Wall plaster core (plaster)	None Detected
15	12/16/19	200	Room 208	Carpet glue	None Detected
16FF	12/16/19	200	Room 208	Floor float	None Detected
16M	12/16/19	200	Room 208	Mastic on Floor float	None Detected
17FT	12/16/19	200	Room 201	floor tile	None Detected
17M	12/16/19	200	Room 201	floor tile mastic	None Detected

None Detected = No asbestos found in the sample analyzed
 The sample descriptions listed above represent the location of the individual sample collected. The building material that has been sampled as listed above may be present in other locations of the building and has been represented above as a homogeneous space.
 Asbestos results are reported in % using Polarized Light Microscopy (PLM) as reported by EMSL, Phoenix, Arizona.
 WEST utilized EMSL located in San Diego, California. a NVLAP and California DHS Accredited Laboratory to provide: “Asbestos Analysis of Bulk Materials via EPA 600/R-93/116 Method using Polarized Light Microscopy (PLM).”



**Limited Asbestos Sampling as Requested
Buildings 200, 300, 800 - Imperial Valley College (IVC)
Asbestos Bulk Sampling Breakdown**

Sample #	Sample Date	Area	Sample Location	Material Sampled	Results
18FT	12/16/19	200	Room 201	floor tile	7% Chrysotile
18M1	12/16/19	200	Room 201	floor tile mastic 1	3% Chrysotile
18M2	12/16/19	200	Room 201	floor tile mastic 2	None Detected
19	12/16/19	200	Room 201	Cove base and mastic	None Detected
20SC	12/16/19	200	Room 201	Wall plaster core (skim)	None Detected
20P	12/16/19	200	Room 201	Wall plaster core (plaster)	None Detected
21	12/16/19	200	Men's Restroom	Wall plaster core	None Detected
22SC	12/16/19	200	Women's Restroom	Wall plaster core (skim)	None Detected
22P	12/16/19	200	Women's Restroom	Wall plaster core (plaster)	None Detected
23DW	12/16/19	200	Custodial Room	Drywall wall core (drywall)	None Detected
23T	12/16/19	200	Custodial Room	Drywall wall core (tape)	None Detected
23JC	12/16/19	200	Custodial Room	Drywall wall core (joint compound)	None Detected
24I1	12/16/19	200	Mech. Room	Small tank insulation (ins. 1)	60% Chrysotile
24I2	12/16/19	200	Mech. Room	Small tank insulation (ins. 2)	60% Chrysotile
24T	12/16/19	200	Mech. Room	Small tank insulation (tape)	3% Chrysotile
25T	12/16/19	200	Mech. Room	Duct Insulation (tape)	None Detected
25I	12/16/19	200	Mech. Room	Duct Insulation (insulation)	None Detected
26T	12/16/19	200	Mech. Room	Duct Insulation (tape)	None Detected
26I	12/16/19	200	Mech. Room	Duct Insulation (insulation)	None Detected
27	12/16/19	200	Mech. Room	Duct Tape on HVAC	None Detected
28	12/16/19	200	Mech. Room	Duct Tape on HVAC	None Detected
29	12/16/19	200	Mech. Room	Duct Tape on HVAC	None Detected

None Detected = No asbestos found in the sample analyzed

The sample descriptions listed above represent the location of the individual sample collected. The building material that has been sampled as listed above may be present in other locations of the building and has been represented above as a homogeneous space.

Asbestos results are reported in % using Polarized Light Microscopy (PLM) as reported by EMSL, Phoenix, Arizona.

WEST utilized EMSL located in San Diego, California. a NVLAP and California DHS Accredited Laboratory to provide: “Asbestos Analysis of Bulk Materials via EPA 600/R-93/116 Method using Polarized Light Microscopy (PLM).”



Limited Asbestos Sampling as Requested
Buildings 200, 300, 800 - Imperial Valley College (IVC)
Asbestos Bulk Sampling Breakdown

Sample #	Sample Date	Area	Sample Location	Material Sampled	Results
01I	12/16/19	300	Chiller Area	Pipe Insulation (insulation)	None Detected
01SP	12/16/19	300	Chiller Area	Pipe Insulation (silver paper)	None Detected
02I	12/16/19	300	Chiller Area	Pipe Insulation (insulation)	None Detected
02SP	12/16/19	300	Chiller Area	Pipe Insulation (silver paper)	None Detected
03	12/16/19	300	Chiller Area	AC edge sealant	None Detected
04SC	12/16/19	300	Room 315	Wall Plaster Core (skim)	None Detected
04P	12/16/19	300	Room 315	Wall Plaster Core (plaster)	None Detected
05CB	12/16/19	300	Room 315	Cove base	None Detected
05M	12/16/19	300	Room 315	Cove base mastic	None Detected
06FT	12/16/19	300	Room 315	9x9 Floor tile	7% Chrysotile
06M	12/16/19	300	Room 315	Floor tile mastic	3% Chrysotile
07	12/16/19	300	Room 315	2x4 ceiling tile	None Detected
08	12/16/19	300	Mechanical Room	Duct tape on HVAC	None Detected
09	12/16/19	300	Mechanical Room	Duct tape on HVAC	None Detected
10	12/16/19	300	Mechanical Room	Duct tape on HVAC	None Detected
11I	12/16/19	300	Mechanical Room	Fiberglass duct insulation	None Detected
11DT	12/16/19	300	Mechanical Room	Fiberglass duct tape	None Detected
12I	12/16/19	300	Mechanical Room	Fiberglass duct insulation	None Detected
12DT	12/16/19	300	Mechanical Room	Fiberglass duct tape	None Detected
13	12/16/19	300	Mechanical Room	Pipe Insulation	None Detected
14	12/16/19	300	Exterior Walls	Exterior block grout (mortar)	None Detected
15	12/16/19	300	Exterior Walls	Exterior block grout (mortar)	None Detected
16	12/16/19	300	Exterior Walls	Exterior block	None Detected
17	12/16/19	300	Exterior Walls	Exterior block	None Detected

None Detected = No asbestos found in the sample analyzed
 The sample descriptions listed above represent the location of the individual sample collected. The building material that has been sampled as listed above may be present in other locations of the building and has been represented above as a homogeneous space.
 Asbestos results are reported in % using Polarized Light Microscopy (PLM) as reported by EMSL, Phoenix, Arizona.
 WEST utilized EMSL located in San Diego, California, a NVLAP and California DHS Accredited Laboratory to provide: “Asbestos Analysis of Bulk Materials via EPA 600/R-93/116 Method using Polarized Light Microscopy (PLM).”

**Limited Asbestos Sampling as Requested
Buildings 200, 300, 800 - Imperial Valley College (IVC)
Asbestos Bulk Sampling Breakdown**

Sample #	Sample Date	Area	Sample Location	Material Sampled	Results
18SC	12/16/19	300	Mechanical Room	Ceiling Plaster Core (skim)	None Detected
18P	12/16/19	300	Mechanical Room	Ceiling Plaster Core (plaster)	None Detected
19FT	12/16/19	300	Room 302	9x9 Floor tile	8% Chrysotile
19M	12/16/19	300	Room 302	Floor tile mastic	4% Chrysotile
20	12/16/19	300	Room 305	Wall Plaster Core	None Detected
21	12/16/19	300	Room 305	24x24 wall tile	None Detected
22CB	12/16/19	300	Room 308	Cove base	None Detected
22M	12/16/19	300	Room 308	Cove base mastic	None Detected
23FT	12/16/19	300	Room 310	9x9 Floor tile	8% Chrysotile
23M	12/16/19	300	Room 310	Floor tile mastic	None Detected
24	12/16/19	300	Room 310	12x12 wall tile	None Detected
25	12/16/19	300	Room 310	Wall tile glue	None Detected
26	12/16/19	300	Room 313	12x12 ceiling tile	None Detected
27FT	12/16/19	300	Room 313	9x9 Floor tile	8% Chrysotile
27M1	12/16/19	300	Room 313	Floor tile mastic 1	4% Chrysotile
27M2	12/16/19	300	Room 313	Floor tile mastic 2	None Detected
28	12/16/19	300	Room 313	Wall Plaster Core	None Detected
29CB	12/16/19	300	Room 314A	Cove base	None Detected
29M	12/16/19	300	Room 314A	Cove base mastic	None Detected
30	12/16/19	300	Room 314A	Wall skim coat	None Detected
31	12/16/19	300	Room 314A	Wall Plaster Core	None Detected
32FT	12/16/19	300	Room 314A	12x12 floor tile	None Detected
32M	12/16/19	300	Room 314A	floor tile mastic	4% Chrysotile

None Detected = No asbestos found in the sample analyzed

The sample descriptions listed above represent the location of the individual sample collected. The building material that has been sampled as listed above may be present in other locations of the building and has been represented above as a homogeneous space.

Asbestos results are reported in % using Polarized Light Microscopy (PLM) as reported by EMSL, Phoenix, Arizona.

WEST utilized EMSL located in San Diego, California. a NVLAP and California DHS Accredited Laboratory to provide: “Asbestos Analysis of Bulk Materials via EPA 600/R-93/116 Method using Polarized Light Microscopy (PLM).

Limited Asbestos Sampling as Requested
Buildings 200, 300, 800 - Imperial Valley College (IVC)
Asbestos Bulk Sampling Breakdown

Sample #	Sample Date	Area	Sample Location	Material Sampled	Results
01FT	12/16/19	800	Room810	9x9 Floor tile	5% Chrysotile
01M	12/16/19	800	Room810	Floor tile mastic	3% Chrysotile
02	12/16/19	800	Room810	12x12 ceiling tile	None Detected
03SC	12/16/19	800	Room810	Wall Plaster Core (skim)	None Detected
03P	12/16/19	800	Room810	Wall Plaster Core (plaster)	None Detected
04	12/16/19	800	Exterior North	Exterior block	None Detected
05	12/16/19	800	Exterior North	Exterior block grout (mortar)	None Detected
06	12/16/19	800	Exterior East	Exterior block	None Detected
07	12/16/19	800	Exterior East	Exterior block grout (mortar)	None Detected
08	12/16/19	800	Exterior South	Exterior block	None Detected
09	12/16/19	800	Exterior South	Exterior block grout (mortar)	None Detected
10	12/16/19	800	Mechanical Room	Holding tank insulation	50% Chrysotile
11T	12/16/19	800	Mechanical Room	Pipe Insulation (tape)	None Detected
11I	12/16/19	800	Mechanical Room	Pipe Insulation (insulation)	None Detected
12T	12/16/19	800	Mechanical Room	Duct Insulation (tape)	None Detected
12I	12/16/19	800	Mechanical Room	Duct Insulation (insulation)	None Detected
13T	12/16/19	800	Mechanical Room	Duct Insulation (tape)	None Detected
13I	12/16/19	800	Mechanical Room	Duct Insulation (insulation)	None Detected
14	12/16/19	800	Mechanical Room	Duct Insulation	None Detected
15	12/16/19	800	Ext. Chiller Area	Pipe Insulation	None Detected
16	12/16/19	800	Ext. Chiller Area	Pipe Insulation	None Detected
17	12/16/19	800	Ext. Chiller Area	Tape on Pipe	None Detected
18	12/16/19	800	Ext. Chiller Area	Tape on Pipe	None Detected
19	12/16/19	800	Ext. Chiller Area	Tape on Pipe	None Detected

None Detected = No asbestos found in the sample analyzed
 The sample descriptions listed above represent the location of the individual sample collected. The building material that has been sampled as listed above may be present in other locations of the building and has been represented above as a homogeneous space.
 Asbestos results are reported in % using Polarized Light Microscopy (PLM) as reported by EMSL, Phoenix, Arizona.
 WEST utilized EMSL located in San Diego, California. a NVLAP and California DHS Accredited Laboratory to provide: “Asbestos Analysis of Bulk Materials via EPA 600/R-93/116 Method using Polarized Light Microscopy (PLM).”



**Limited Asbestos Sampling as Requested
Buildings 200, 300, 800 - Imperial Valley College (IVC)
Asbestos Bulk Sampling Breakdown**

Sample #	Sample Date	Area	Sample Location	Material Sampled	Results
20	12/16/19	800	Mechanical Room	Ceiling Plaster	None Detected
21SC	12/16/19	800	Small alcove area	Wall Plaster Core (skim)	None Detected
21P	12/16/19	800	Small alcove area	Wall Plaster Core (plaster)	None Detected
22CB	12/16/19	800	Room 807	Cove base	None Detected
22M	12/16/19	800	Room 807	Cove base mastic	None Detected
23FT	12/16/19	800	Room 807	9x9 Floor tile	5% Chrysotile
23M	12/16/19	800	Room 807	Floor tile mastic	3% Chrysotile
24DW	12/16/19	800	Room 807 – office	Drywall wall core (drywall)	None Detected
24T	12/16/19	800	Room 807 – office	Drywall wall core (tape)	None Detected
24Tex	12/16/19	800	Room 807 – office	Drywall wall core (texture)	None Detected
25	12/16/19	800	Room 807		None Detected
26	12/16/19	800	Room 807	2x4 Ceiling Tile	None Detected
27	12/16/19	800	Room 807	2x4 Ceiling Tile	None Detected
28	12/16/19	800	Women’s Restroom	Wall Plaster Core	None Detected
29SC	12/16/19	800	Men’s Restroom	Wall Plaster Core (skim)	None Detected
29P	12/16/19	800	Men’s Restroom	Wall Plaster Core (plaster)	None Detected
30SC	12/16/19	800	Men’s Restroom	Wall Plaster Core (skim)	None Detected
30P	12/16/19	800	Men’s Restroom	Wall Plaster Core (plaster)	None Detected
31	12/16/19	800	Room 803	2x2 ceiling tile	None Detected
32	12/16/19	800	Room 803	12x12 ceiling tile	None Detected
33SC	12/16/19	800	Room 803	Wall Plaster Core (skim)	None Detected
33P	12/16/19	800	Room 803	Wall Plaster Core (plaster)	None Detected
34	12/16/19	800	Room 803	Skim Coat on wall	None Detected
35	12/16/19	800	Room 803	Carpet Glue	None Detected

None Detected = No asbestos found in the sample analyzed
 The sample descriptions listed above represent the location of the individual sample collected. The building material that has been sampled as listed above may be present in other locations of the building and has been represented above as a homogeneous space.
 Asbestos results are reported in % using Polarized Light Microscopy (PLM) as reported by EMSL, Phoenix, Arizona.
 WEST utilized EMSL located in San Diego, California, a NVLAP and California DHS Accredited Laboratory to provide: “Asbestos Analysis of Bulk Materials via EPA 600/R-93/116 Method using Polarized Light Microscopy (PLM).”



WESTERN ENVIRONMENTAL & SAFETY TECHNOLOGIES LLC

“an environmental consulting firm”

Attachment One

Asbestos Laboratory Sheets & Chain of Custodies



EMSL Analytical, Inc.

7916 Convoy Court, Building 4, Suite A San Diego, CA 92111

Tel/Fax: (858) 499-1303 / (858) 499-1304

<http://www.EMSL.com> / sandiegolab@emsl.com

EMSL Order: 431911021

Customer ID: WEST60

Customer PO:

Project ID:

Attention: David A Christy
Western Environmental & Safety Tech.
7676 Hazard Center Drive
Suite 500
San Diego, CA 92108

Phone: (619) 571-3987

Fax: (858) 271-1856

Received Date: 12/16/2019 3:25 PM

Analysis Date: 12/18/2019

Collected Date:

Project: BLDG 300 - IVC / EL CENTRO, CA

Test Report: Asbestos Analysis of Bulk Materials via EPA 600/R-93/116 Method using Polarized Light Microscopy

Sample	Description	Appearance	Non-Asbestos		Asbestos
			% Fibrous	% Non-Fibrous	% Type
01-Insulation <small>431911021-0001</small>	300 - EXT CHILLER AREA - PIPE INS. FG	Yellow Fibrous Homogeneous	95% Min. Wool	5% Non-fibrous (Other)	None Detected
01-Silver Paper <small>431911021-0001A</small>	300 - EXT CHILLER AREA - PIPE INS. FG	Silver Fibrous Homogeneous	90% Cellulose	10% Non-fibrous (Other)	None Detected
02-Insulation <small>431911021-0002</small>	300 - EXT CHILLER AREA - PIPE INS. FG	Yellow Fibrous Homogeneous	95% Min. Wool	5% Non-fibrous (Other)	None Detected
02-Silver Paper <small>431911021-0002A</small>	300 - EXT CHILLER AREA - PIPE INS. FG	Silver Fibrous Homogeneous	90% Cellulose	10% Non-fibrous (Other)	None Detected
03 <small>431911021-0003</small>	300 - EXT CHILLER AREA - AC - EDGE SEAL	Gray Non-Fibrous Homogeneous		100% Non-fibrous (Other)	None Detected
04-Skim Coat <small>431911021-0004</small>	300 - RM 315 - WALL PLASTER CORE	White Non-Fibrous Homogeneous		100% Non-fibrous (Other)	None Detected
04-Plaster <small>431911021-0004A</small>	300 - RM 315 - WALL PLASTER CORE	Tan Non-Fibrous Homogeneous		100% Non-fibrous (Other)	None Detected
05-Cove Base <small>431911021-0005</small>	300 - RM 315 - CB & M	Gray Non-Fibrous Homogeneous		100% Non-fibrous (Other)	None Detected
05-Mastic <small>431911021-0005A</small>	300 - RM 315 - CB & M	Beige Non-Fibrous Homogeneous		100% Non-fibrous (Other)	None Detected
06-Floor Tile <small>431911021-0006</small>	300 - RM 315 - 9x9 FLOOR T/M	Gray Non-Fibrous Homogeneous		93% Non-fibrous (Other)	7% Chrysotile
06-Mastic <small>431911021-0006A</small>	300 - RM 315 - 9x9 FLOOR T/M	Black Non-Fibrous Homogeneous		97% Non-fibrous (Other)	3% Chrysotile
07 <small>431911021-0007</small>	300 - RM 315 - CT 2x4	Gray Fibrous Homogeneous	40% Cellulose 40% Min. Wool	5% Perlite 15% Non-fibrous (Other)	None Detected
08 <small>431911021-0008</small>	300 - MECH RM - DUCT TAPE ON HVAC	Beige Fibrous Homogeneous	85% Cellulose	15% Non-fibrous (Other)	None Detected
09 <small>431911021-0009</small>	300 - MECH RM - DUCT TAPE ON HVAC	Beige Fibrous Homogeneous	85% Cellulose	15% Non-fibrous (Other)	None Detected
10 <small>431911021-0010</small>	300 - MECH RM - DUCT TAPE ON HVAC	Beige Fibrous Homogeneous	85% Cellulose	15% Non-fibrous (Other)	None Detected
11-Insulation <small>431911021-0011</small>	300 - MECH RM - F.G. DUCT INSU	Yellow Fibrous Homogeneous	95% Min. Wool	5% Non-fibrous (Other)	None Detected

Initial report from: 12/18/2019 19:32:47



EMSL Analytical, Inc.

7916 Convoy Court, Building 4, Suite A San Diego, CA 92111

Tel/Fax: (858) 499-1303 / (858) 499-1304

<http://www.EMSL.com> / sandiegolab@emsl.com

EMSL Order: 431911021
Customer ID: WEST60
Customer PO:
Project ID:

Test Report: Asbestos Analysis of Bulk Materials via EPA 600/R-93/116 Method using Polarized Light Microscopy

Sample	Description	Appearance	Non-Asbestos		Asbestos
			% Fibrous	% Non-Fibrous	% Type
11-Duct Tape 431911021-0011A	300 - MECH RM - F.G. DUCT INSU	Beige Fibrous Homogeneous	85% Cellulose	15% Non-fibrous (Other)	None Detected
12-Insulation 431911021-0012	300 - MECH RM - F.G. DUCT INSU	Yellow Fibrous Homogeneous	95% Min. Wool	5% Non-fibrous (Other)	None Detected
12-Duct Tape 431911021-0012A	300 - MECH RM - F.G. DUCT INSU	Beige Fibrous Homogeneous	85% Cellulose	15% Non-fibrous (Other)	None Detected
13 431911021-0013	300 - MECH RM - PIPE INSU FG	Yellow Fibrous Homogeneous	95% Min. Wool	5% Non-fibrous (Other)	None Detected
14 431911021-0014	300 - EXTERIOR - BLOCK GROUT	Red Non-Fibrous Homogeneous		100% Non-fibrous (Other)	None Detected
15 431911021-0015	300 - EXTERIOR - BLOCK GROUT	Red Non-Fibrous Homogeneous		100% Non-fibrous (Other)	None Detected
16 431911021-0016	300 - EXTERIOR - CINDER BLOCK WALL	Red Non-Fibrous Homogeneous		100% Non-fibrous (Other)	None Detected
17 431911021-0017	300 - EXTERIOR - CINDER BLOCK WALL	Red Non-Fibrous Homogeneous		100% Non-fibrous (Other)	None Detected
18-Skim Coat 431911021-0018	300 - MECH RM - CEILING PLASTER	White Non-Fibrous Homogeneous		100% Non-fibrous (Other)	None Detected
18-Plaster 431911021-0018A	300 - MECH RM - CEILING PLASTER	Tan Non-Fibrous Homogeneous		100% Non-fibrous (Other)	None Detected
19-Floor Tile 431911021-0019	300 - RM 302 - 9x9 FLOOR T/M	Tan Non-Fibrous Homogeneous		92% Non-fibrous (Other)	8% Chrysotile
19-Mastic 431911021-0019A	300 - RM 302 - 9x9 FLOOR T/M	Black Non-Fibrous Homogeneous		96% Non-fibrous (Other)	4% Chrysotile
20 431911021-0020	300 - RM 305 - WALL PLASTER	Tan Non-Fibrous Homogeneous		100% Non-fibrous (Other)	None Detected
21 431911021-0021	300 - RM 305 - 24x24 WALL TILE	Brown Fibrous Homogeneous	95% Cellulose	5% Non-fibrous (Other)	None Detected
22-Cove Base 431911021-0022	300 - RM 308 - CB & M	Tan Non-Fibrous Homogeneous		100% Non-fibrous (Other)	None Detected
22-Mastic 431911021-0022A	300 - RM 308 - CB & M	Beige Non-Fibrous Homogeneous		100% Non-fibrous (Other)	None Detected
23-Floor Tile 431911021-0023	300 - RM 310 - 9x9 FLOOR T/M	Tan Non-Fibrous Homogeneous		92% Non-fibrous (Other)	8% Chrysotile
23-Mastic 431911021-0023A	300 - RM 310 - 9x9 FLOOR T/M				Insufficient Material
24 431911021-0024	300 - RM 310 - 12x12 WALL TILE	Brown Fibrous Homogeneous	95% Cellulose	5% Non-fibrous (Other)	None Detected

Initial report from: 12/18/2019 19:32:47



EMSL Analytical, Inc.

7916 Convoy Court, Building 4, Suite A San Diego, CA 92111

Tel/Fax: (858) 499-1303 / (858) 499-1304

<http://www.EMSL.com> / sandiegolab@emsl.com

EMSL Order: 431911021
Customer ID: WEST60
Customer PO:
Project ID:

Test Report: Asbestos Analysis of Bulk Materials via EPA 600/R-93/116 Method using Polarized Light Microscopy

Sample	Description	Appearance	Non-Asbestos		Asbestos
			% Fibrous	% Non-Fibrous	% Type
25 431911021-0025	300 - RM 310 - WALL TILE GLUE	Brown Non-Fibrous Homogeneous		100% Non-fibrous (Other)	None Detected
26 431911021-0026	300 - RM 313 - 12x12 CT	Brown Fibrous Homogeneous	95% Cellulose	5% Non-fibrous (Other)	None Detected
27-Floor Tile 431911021-0027	300 - RM 313 - 9x9 FLOOR T/M UNDER CARPET	Tan Non-Fibrous Homogeneous		92% Non-fibrous (Other)	8% Chrysotile
27-Mastic 1 431911021-0027A	300 - RM 313 - 9x9 FLOOR T/M UNDER CARPET	Black Non-Fibrous Homogeneous		96% Non-fibrous (Other)	4% Chrysotile
27-Mastic 2 431911021-0027B	300 - RM 313 - 9x9 FLOOR T/M UNDER CARPET	Yellow Non-Fibrous Homogeneous		100% Non-fibrous (Other)	None Detected
28 431911021-0028	300 - RM 313 - WALL PLASTER - INNER	Tan Non-Fibrous Homogeneous		100% Non-fibrous (Other)	None Detected
29-Cove Base 431911021-0029	300 - RM 314A - CB & M	Beige Non-Fibrous Homogeneous		100% Non-fibrous (Other)	None Detected
29-Mastic 431911021-0029A	300 - RM 314A - CB & M	White Non-Fibrous Homogeneous		100% Non-fibrous (Other)	None Detected
30 431911021-0030	300 - RM 314A - WALL SKIM COAT	White Non-Fibrous Homogeneous		100% Non-fibrous (Other)	None Detected
31 431911021-0031	300 - RM 314A - WALL PLASTER - INNER	Tan Non-Fibrous Homogeneous		100% Non-fibrous (Other)	None Detected
32-Floor Tile 431911021-0032	300 - RM 314A - 12x12 FLOOR T/M	White Non-Fibrous Homogeneous		100% Non-fibrous (Other)	None Detected
32-Mastic 431911021-0032A	300 - RM 314A - 12x12 FLOOR T/M	Black/Yellow Non-Fibrous Homogeneous		96% Non-fibrous (Other)	4% Chrysotile

Analyst(s)

Brooke Batten (46)

Mariah Curran, Laboratory Manager
or Other Approved Signatory

EMSL maintains liability limited to cost of analysis. The above analyses were performed in general compliance with Appendix E to Subpart E of 40 CFR (previously EPA 600/M4-82-020 "Interim Method"), but augmented with procedures outlined in the 1993 ("final") version of the method. This report relates only to the samples reported above, and may not be reproduced, except in full, without written approval by EMSL. EMSL bears no responsibility for sample collection activities or analytical method limitations. Interpretation and use of test results are the responsibility of the client. All samples received in acceptable condition unless otherwise noted. This report must not be used by the client to claim product certification, approval, or endorsement by NVLAP, NIST or any agency of the federal government. EMSL recommends gravimetric reduction for all non-friable organically bound materials prior to analysis. Estimation of uncertainty is available on request.

Samples analyzed by EMSL Analytical, Inc. San Diego, CA NVLAP Lab Code 200855-0, CA ELAP 2713, HI L-09-03

Initial report from: 12/18/2019 19:32:47

Asbestos Bulk Sampling - Chain of Custody

#431911021

<p>WEST LLC 7966 Arjons Drive, #110 San Diego, CA 92115 Tel: 858.271.1842 Tel: 858.271.1856</p>	<p>Project Name: <i>Bldg. 300-1VC</i></p> <p>Project Location: <i>E1 Centro, CA.</i></p>	<p>Contact: David A. Christy (619) 571-3987</p> <p>Fax Results: (858) 271-1856</p>	<p>Laboratory to be used: EMSL Analytical</p> <p>City/State: San Diego, California</p>
--	--	--	---

Turn Around Time: ~~48 hr.~~ *48 hr.* *AC*

Relinquished By: (sign / print)	Company	Date / Time	Received By: (sign / print)	Date / Time
<i>David Christy</i>	WEST	12/16/19	<i>Riva Alger</i>	12/16/19 3:25 pm

Sample #	Date	300 Area	Sample Location	Sample Description	Analysis Requested
01	12/16/19	300	EXT Chiller Area	PIPE INS. FG	Asbestos - PLM
02			↓	↓	Asbestos - PLM
03			↓	AC- EDGE SEAL	Asbestos - PLM
04			Rm 315	WALL PLASTER CORE	Asbestos - PLM
05			↓	COVE BASE & MASTIC	Asbestos - PLM
06			↓	9x9 FLOOR TILE & MASTIC	Asbestos - PLM
07			↓	Ceiling Tile 2x4	Asbestos - PLM
08			Mech Rm.	DUCT TAPE ON HVAC	Asbestos - PLM
09			↓	↓	Asbestos - PLM
10			↓	↓	Asbestos - PLM
11			↓	F.G. DUCT INSULATION	Asbestos - PLM
12			↓	↓	Asbestos - PLM
13			↓	PIPE INSULATION	Asbestos - PLM <i>FG</i>
14			EXTERIOR	Block Grout	Asbestos - PLM
15			↓	↓	Asbestos - PLM
16			↓	Cinder Block Wall	Asbestos - PLM
17			↓	↓	Asbestos - PLM
18			Mech. Rm.	CEILING PLASTER	Asbestos - PLM
19			Rm 302	9x9 FLOOR TILE & MASTIC	Asbestos - PLM
20			Rm 305	WALL PLASTER	Asbestos - PLM
21			↓	24x24 WALL TILE	Asbestos - PLM
22			Rm 308	COVE BASE & MASTIC	Asbestos - PLM
23			Rm 310	9x9 FLOOR TILE & MASTIC	Asbestos - PLM
24			↓	12x12 WALL TILE	Asbestos - PLM



EMSL Analytical, Inc.

7916 Convoy Court, Building 4, Suite A San Diego, CA 92111

Tel/Fax: (858) 499-1303 / (858) 499-1304

<http://www.EMSL.com> / sandiegolab@emsl.com

EMSL Order: 431911022

Customer ID: WEST60

Customer PO:

Project ID:

Attention: David A Christy
Western Environmental & Safety Tech.
7676 Hazard Center Drive
Suite 500
San Diego, CA 92108

Phone: (619) 571-3987

Fax: (858) 271-1856

Received Date: 12/16/2019 3:25 PM

Analysis Date: 12/18/2019

Collected Date:

Project: BLDG 800 - IVC / EL CENTRO, CA

Test Report: Asbestos Analysis of Bulk Materials via EPA 600/R-93/116 Method using Polarized Light Microscopy

Sample	Description	Appearance	Non-Asbestos		Asbestos
			% Fibrous	% Non-Fibrous	% Type
01-Floor Tile <i>431911022-0001</i>	800 - ROOM 810 - 9x9 FLOOR T/M	Gray Non-Fibrous Homogeneous		95% Non-fibrous (Other)	5% Chrysotile
01-Mastic <i>431911022-0001A</i>	800 - ROOM 810 - 9x9 FLOOR T/M	Black Non-Fibrous Homogeneous		97% Non-fibrous (Other)	3% Chrysotile
02 <i>431911022-0002</i>	800 - ROOM 810 - 12x12 CT	Brown Fibrous Homogeneous	90% Cellulose	10% Non-fibrous (Other)	None Detected
03-Skim Coat <i>431911022-0003</i>	800 - ROOM 810 - WALL PLASTER CORE	White Non-Fibrous Homogeneous		100% Non-fibrous (Other)	None Detected
03-Plaster <i>431911022-0003A</i>	800 - ROOM 810 - WALL PLASTER CORE	Beige Non-Fibrous Homogeneous		100% Non-fibrous (Other)	None Detected
04 <i>431911022-0004</i>	800 - EXT NORTH - EXT. BLOCK	Brown/Red Non-Fibrous Homogeneous		100% Non-fibrous (Other)	None Detected
05 <i>431911022-0005</i>	800 - EXT NORTH - EXT. GROUT	Brown/Red Non-Fibrous Homogeneous		100% Non-fibrous (Other)	None Detected
06 <i>431911022-0006</i>	800 - EXT EAST - EXT. BLOCK	Brown/Red Non-Fibrous Homogeneous		100% Non-fibrous (Other)	None Detected
07 <i>431911022-0007</i>	800 - EXT EAST - EXT. GROUT	Brown/Red Non-Fibrous Homogeneous		100% Non-fibrous (Other)	None Detected
08 <i>431911022-0008</i>	800 - EXT SOUTH - EXT. BLOCK	Brown/Red Non-Fibrous Homogeneous		100% Non-fibrous (Other)	None Detected
09 <i>431911022-0009</i>	800 - EXT SOUTH - EXT. GROUT	Brown/Red Non-Fibrous Homogeneous		100% Non-fibrous (Other)	None Detected
10 <i>431911022-0010</i>	800 - MECH RM - HOLDING TANK INS.	Gray Fibrous Homogeneous		50% Non-fibrous (Other)	50% Chrysotile
11-Tape <i>431911022-0011</i> <i>Tape present in sample.</i>	800 - MECH RM - PIPE INS.	Beige Fibrous Homogeneous	90% Cellulose	10% Non-fibrous (Other)	None Detected
11-Insulation <i>431911022-0011A</i>	800 - MECH RM - PIPE INS.	Beige Fibrous Homogeneous	90% Min. Wool	5% Perlite 5% Non-fibrous (Other)	None Detected
12-Tape <i>431911022-0012</i> <i>Tape present in sample.</i>	800 - MECH RM - DUCT INS.	Beige Fibrous Homogeneous	90% Cellulose	10% Non-fibrous (Other)	None Detected

Initial report from: 12/18/2019 20:00:09



EMSL Analytical, Inc.

7916 Convoy Court, Building 4, Suite A San Diego, CA 92111

Tel/Fax: (858) 499-1303 / (858) 499-1304

<http://www.EMSL.com> / sandiegolab@emsl.com

EMSL Order: 431911022

Customer ID: WEST60

Customer PO:

Project ID:

Test Report: Asbestos Analysis of Bulk Materials via EPA 600/R-93/116 Method using Polarized Light Microscopy

Sample	Description	Appearance	Non-Asbestos		Asbestos
			% Fibrous	% Non-Fibrous	% Type
12-Insulation 431911022-0012A	800 - MECH RM - DUCT INS.	Beige Fibrous Homogeneous	90% Min. Wool	5% Perlite 5% Non-fibrous (Other)	None Detected
13-Tape 431911022-0013 <i>Tape present in sample.</i>	800 - MECH RM - DUCT INS.	Beige Fibrous Heterogeneous	90% Cellulose	10% Non-fibrous (Other)	None Detected
13-Insulation 431911022-0013A	800 - MECH RM - DUCT INS.	Yellow Fibrous Homogeneous	90% Glass	10% Non-fibrous (Other)	None Detected
14 431911022-0014	800 - MECH RM - DUCT INS.	Beige Fibrous Homogeneous	80% Min. Wool	8% Perlite 12% Non-fibrous (Other)	None Detected
15 431911022-0015	800 - EXT. CHILLER - PIPE INS.	Yellow Fibrous Homogeneous	95% Glass	5% Non-fibrous (Other)	None Detected
16 431911022-0016	800 - EXT. CHILLER - PIPE INS.	Tan Fibrous Homogeneous	90% Min. Wool	10% Non-fibrous (Other)	None Detected
17 431911022-0017	800 - EXT. CHILLER - TAPE WRAP ON PIPE	White Fibrous Homogeneous	90% Cellulose	10% Non-fibrous (Other)	None Detected
18 431911022-0018	800 - EXT. CHILLER - TAPE WRAP ON PIPE	White Fibrous Homogeneous	90% Cellulose	10% Non-fibrous (Other)	None Detected
19 431911022-0019	800 - EXT. CHILLER - TAPE WRAP ON PIPE	White Fibrous Homogeneous	90% Cellulose	10% Non-fibrous (Other)	None Detected
20 431911022-0020 <i>Skim coat and plaster were inseparable.</i>	800 - MECH. RM - CEILING PLASTER	White/Beige Non-Fibrous Heterogeneous		100% Non-fibrous (Other)	None Detected
21-Skim Coat 431911022-0021	800 - SMALL RM ALCOVE - WALL PLASTER CORE	White Non-Fibrous Homogeneous		100% Non-fibrous (Other)	None Detected
21-Plaster 431911022-0021A	800 - SMALL RM ALCOVE - WALL PLASTER CORE	Beige Non-Fibrous Homogeneous		100% Non-fibrous (Other)	None Detected
22-Cove Base 431911022-0022	800 - RM 807 - CB & M	Beige Non-Fibrous Homogeneous		100% Non-fibrous (Other)	None Detected
22-Mastic 431911022-0022A	800 - RM 807 - CB & M	White Non-Fibrous Homogeneous		100% Non-fibrous (Other)	None Detected
23-Floor Tile 431911022-0023	800 - RM 807 - 9x9 FLOOR T/M	Gray Non-Fibrous Homogeneous		95% Non-fibrous (Other)	5% Chrysotile
23-Mastic 431911022-0023A	800 - RM 807 - 9x9 FLOOR T/M	Black Non-Fibrous Homogeneous		97% Non-fibrous (Other)	3% Chrysotile
24-Drywall 431911022-0024	800 - RM 807 OFFICE - DW WALL CORE	White Non-Fibrous Homogeneous	<1% Cellulose	100% Non-fibrous (Other)	None Detected
24-Tape 431911022-0024A	800 - RM 807 OFFICE - DW WALL CORE	Brown Fibrous Homogeneous	90% Cellulose	10% Non-fibrous (Other)	None Detected

Initial report from: 12/18/2019 20:00:09



EMSL Analytical, Inc.

7916 Convoy Court, Building 4, Suite A San Diego, CA 92111

Tel/Fax: (858) 499-1303 / (858) 499-1304

<http://www.EMSL.com> / sandiegolab@emsl.com

EMSL Order: 431911022
Customer ID: WEST60
Customer PO:
Project ID:

Test Report: Asbestos Analysis of Bulk Materials via EPA 600/R-93/116 Method using Polarized Light Microscopy

Sample	Description	Appearance	Non-Asbestos		Asbestos
			% Fibrous	% Non-Fibrous	% Type
24-Texture 431911022-0024B	800 - RM 807 OFFICE - DW WALL CORE	White Non-Fibrous Homogeneous		100% Non-fibrous (Other)	None Detected
25 431911022-0025	800 - RM 807 - WALL PLASTER CORE	White/Beige Non-Fibrous Heterogeneous		100% Non-fibrous (Other)	None Detected
<i>Skim coat and plaster were inseparable.</i>					
26 431911022-0026	800 - ROOM 807 - 2x4 CT	Tan Fibrous Homogeneous	80% Cellulose	20% Non-fibrous (Other)	None Detected
27 431911022-0027	800 - ROOM 807 - 2x4 CT	Tan Fibrous Homogeneous	80% Cellulose	20% Non-fibrous (Other)	None Detected
28 431911022-0028	800 - WOMENS RR - WALL PLASTER CORE	White Non-Fibrous Homogeneous		100% Non-fibrous (Other)	None Detected
29-Skim Coat 431911022-0029	800 - MENS RR - WALL PLASTER CORE	White Non-Fibrous Homogeneous		100% Non-fibrous (Other)	None Detected
29-Plaster 431911022-0029A	800 - MENS RR - WALL PLASTER CORE	Beige Non-Fibrous Homogeneous		100% Non-fibrous (Other)	None Detected
30-Skim Coat 431911022-0030	800 - MENS RR - WALL PLASTER CORE	White Non-Fibrous Homogeneous		100% Non-fibrous (Other)	None Detected
30-Plaster 431911022-0030A	800 - MENS RR - WALL PLASTER CORE	Beige Non-Fibrous Homogeneous		100% Non-fibrous (Other)	None Detected
31 431911022-0031	800 - ROOM 803 - 2x2 CT	Tan Fibrous Homogeneous	40% Cellulose 25% Min. Wool	3% Perlite 32% Non-fibrous (Other)	None Detected
32 431911022-0032	800 - ROOM 803 - 12x12 CT	Brown/White Fibrous Homogeneous	80% Cellulose 2% Glass	18% Non-fibrous (Other)	None Detected
33-Skim Coat 431911022-0033	800 - ROOM 803 - WALL PLASTER CORE	White Non-Fibrous Homogeneous		100% Non-fibrous (Other)	None Detected
33-Plaster 431911022-0033A	800 - ROOM 803 - WALL PLASTER CORE	Beige Non-Fibrous Homogeneous		100% Non-fibrous (Other)	None Detected
34 431911022-0034	800 - ROOM 803 - SKIM COAT ON WALL	White Non-Fibrous Homogeneous		100% Non-fibrous (Other)	None Detected
35 431911022-0035	800 - ROOM 803 - CARPET GLUE	Yellow Non-Fibrous Homogeneous		100% Non-fibrous (Other)	None Detected



EMSL Analytical, Inc.

7916 Convoy Court, Building 4, Suite A San Diego, CA 92111

Tel/Fax: (858) 499-1303 / (858) 499-1304

<http://www.EMSL.com> / sandiegolab@emsl.com

EMSL Order: 431911022

Customer ID: WEST60

Customer PO:

Project ID:

Analyst(s)

Alberto Guerrero (8)

Liduvina Delgadillo (24)

Terra Nevin (16)

Mariah Curran, Laboratory Manager
or Other Approved Signatory

EMSL maintains liability limited to cost of analysis. The above analyses were performed in general compliance with Appendix E to Subpart E of 40 CFR (previously EPA 600/M4-82-020 "Interim Method"), but augmented with procedures outlined in the 1993 ("final") version of the method. This report relates only to the samples reported above, and may not be reproduced, except in full, without written approval by EMSL. EMSL bears no responsibility for sample collection activities or analytical method limitations. Interpretation and use of test results are the responsibility of the client. All samples received in acceptable condition unless otherwise noted. This report must not be used by the client to claim product certification, approval, or endorsement by NVLAP, NIST or any agency of the federal government. EMSL recommends gravimetric reduction for all non-friable organically bound materials prior to analysis. Estimation of uncertainty is available on request.

Samples analyzed by EMSL Analytical, Inc. San Diego, CA NVLAP Lab Code 200855-0, CA ELAP 2713, HI L-09-03

Initial report from: 12/18/2019 20:00:09

#431911022

Asbestos Bulk Sampling - Chain of Custody

WEST LLC 7966 Arjons Drive, #110 San Diego, CA 92115 Tel: 858.271.1842 Tel: 858.271.1856	Project Name: <i>Bldg 800-IVC</i>	Contact: David A. Christy (619) 571-3987 Fax Results: (858) 271-1856	Laboratory to be used: EMSL Analytical City/State: San Diego, California
	Project Location: <i>El Centro, CA.</i>		

Turn Around Time: 2 day (48 hour)

Relinquished By: (sign/print)	Company	Date / Time	Received By: (sign/print)	Date / Time
<i>David Christy</i>	WEST	12/16/19	<i>Riva Alger</i>	12/16/19 3:25 pm

Sample #	Date	Bldg. Floor	Sample Location	Sample Description	Analysis Requested	
01	12/16/19	800	Room 810	9x9 Floor tile & Mastic	Asbestos PLM	
02				12x12 Ceiling tile	Asbestos PLM	
03				Wall Plaster Core	Asbestos PLM	
04				EXT North	EXT. Block	Asbestos PLM
05				EXT. GROUT	Asbestos PLM	
06				EXT. EAST	EXT. Block	Asbestos PLM
07				EXT. GROUT	Asbestos PLM	
08				EXT. SOUTH	EXT. Block	Asbestos PLM
09				EXT. GROUT	Asbestos PLM	
10				Mech Rm.	Holdings TANK INS.	Asbestos PLM
11				PIPE INS.	Asbestos PLM	
12				DUCT INS	Asbestos PLM	
13						Asbestos PLM
14						Asbestos PLM
15				EXT. Chiller	PIPE INS.	Asbestos PLM
16						Asbestos PLM
17					TAPE WRAP ON PIPE	Asbestos PLM
18						Asbestos PLM
19						Asbestos PLM
20				Mech. Rm.	Ceiling Plaster	Asbestos PLM
21				Small Rm. Above	Wall Plaster Core	Asbestos PLM
22				Rm. 807	Cove Base & Mastic	Asbestos PLM
23					9x9 Floor tile & Mastic	Asbestos PLM
24				office	Drywall wall Core	Asbestos PLM
25					Wall Plaster Core	Asbestos PLM



EMSL Analytical, Inc.

7916 Convoy Court, Building 4, Suite A San Diego, CA 92111

Tel/Fax: (858) 499-1303 / (858) 499-1304

<http://www.EMSL.com> / sandiegolab@emsl.com

EMSL Order: 431911023

Customer ID: WEST60

Customer PO:

Project ID:

Attention: David A Christy
Western Environmental & Safety Tech.
7676 Hazard Center Drive
Suite 500
San Diego, CA 92108

Phone: (619) 571-3987

Fax: (858) 271-1856

Received Date: 12/16/2019 3:25 PM

Analysis Date: 12/18/2019

Collected Date:

Project: BLDG 200 - IVC / EL CENTRO, CA

Test Report: Asbestos Analysis of Bulk Materials via EPA 600/R-93/116 Method using Polarized Light Microscopy

Sample	Description	Appearance	Non-Asbestos		Asbestos
			% Fibrous	% Non-Fibrous	% Type
01 431911023-0001	200 - RM 205 - 2x4 CT	Gray Fibrous Homogeneous	50% Cellulose 25% Min. Wool	3% Perlite 22% Non-fibrous (Other)	None Detected
02 431911023-0002	200 - RM 205 - 2x4 CT	Gray Fibrous Homogeneous	50% Cellulose 25% Min. Wool	3% Perlite 22% Non-fibrous (Other)	None Detected
03 431911023-0003	200 - RM 205 - JC	White Non-Fibrous Homogeneous		100% Non-fibrous (Other)	None Detected
04-Drywall 431911023-0004	200 - RM 205 - DW WALL CORE	White Non-Fibrous Homogeneous	2% Cellulose <1% Glass	98% Non-fibrous (Other)	None Detected
04-Tape 431911023-0004A	200 - RM 205 - DW WALL CORE	Brown Fibrous Homogeneous	90% Cellulose	10% Non-fibrous (Other)	None Detected
04-Texture 431911023-0004B	200 - RM 205 - DW WALL CORE	White Non-Fibrous Homogeneous		100% Non-fibrous (Other)	None Detected
05-Cove Base 431911023-0005	200 - RM 205 - CB & M	Blue Non-Fibrous Homogeneous		100% Non-fibrous (Other)	None Detected
05-Mastic 431911023-0005A	200 - RM 205 - CB & M	Yellow Non-Fibrous Homogeneous		100% Non-fibrous (Other)	None Detected
06 431911023-0006	200 - RM 205 - CARPET GLUE	Yellow Non-Fibrous Homogeneous		100% Non-fibrous (Other)	None Detected
07 431911023-0007	200 - RM 205 N - BLOCK GROUT	Red Non-Fibrous Homogeneous		100% Non-fibrous (Other)	None Detected
08 431911023-0008	200 - RM 205 E - BLOCK GROUT	Red Non-Fibrous Homogeneous		100% Non-fibrous (Other)	None Detected
09 431911023-0009	200 - RM 205 N - CINDER BLOCK	Red Non-Fibrous Homogeneous		100% Non-fibrous (Other)	None Detected
10 431911023-0010	200 - RM 205 E - CINDER BLOCK	Red Non-Fibrous Homogeneous		100% Non-fibrous (Other)	None Detected
11 431911023-0011	200 - RM 206 - 12x12 CT	Brown Fibrous Homogeneous	90% Cellulose	10% Non-fibrous (Other)	None Detected
12-Floor Tile 431911023-0012	200 - RM 206 - 9x9 FLOOR T/M	Gray Non-Fibrous Homogeneous		92% Non-fibrous (Other)	8% Chrysotile
12-Mastic 431911023-0012A	200 - RM 206 - 9x9 FLOOR T/M	Black Non-Fibrous Homogeneous		97% Non-fibrous (Other)	3% Chrysotile

Initial report from: 12/18/2019 20:09:42



EMSL Analytical, Inc.

7916 Convoy Court, Building 4, Suite A San Diego, CA 92111

Tel/Fax: (858) 499-1303 / (858) 499-1304

<http://www.EMSL.com> / sandiegolab@emsl.com

EMSL Order: 431911023
Customer ID: WEST60
Customer PO:
Project ID:

Test Report: Asbestos Analysis of Bulk Materials via EPA 600/R-93/116 Method using Polarized Light Microscopy

Sample	Description	Appearance	Non-Asbestos		Asbestos
			% Fibrous	% Non-Fibrous	% Type
13 431911023-0013	200 - RM 206 - PLASTER - WALL CORE	Tan Non-Fibrous Homogeneous		100% Non-fibrous (Other)	None Detected
14-Skim Coat 431911023-0014	200 - RM 208 - PLASTER - WALL CORE	White Non-Fibrous Homogeneous		100% Non-fibrous (Other)	None Detected
14-Plaster 431911023-0014A	200 - RM 208 - PLASTER - WALL CORE	Tan Non-Fibrous Homogeneous		100% Non-fibrous (Other)	None Detected
15 431911023-0015	200 - RM 208 - CARPET GLUE	Yellow Non-Fibrous Homogeneous		100% Non-fibrous (Other)	None Detected
16-Floor Float 431911023-0016	200 - RM 208 - FLOOR FLOAT	White Non-Fibrous Homogeneous		100% Non-fibrous (Other)	None Detected
16-Mastic 431911023-0016A	200 - RM 208 - FLOOR FLOAT	Yellow Non-Fibrous Homogeneous		100% Non-fibrous (Other)	None Detected
17-Floor Tile 431911023-0017	200 - RM 201 - FLOOR T/M - TOP	White Non-Fibrous Homogeneous		100% Non-fibrous (Other)	None Detected
17-Mastic 431911023-0017A	200 - RM 201 - FLOOR T/M - TOP	Gray Non-Fibrous Homogeneous		100% Non-fibrous (Other)	None Detected
18-Floor Tile 431911023-0018	200 - RM 201 - FLOOR T/M - BOTTOM	Tan Non-Fibrous Homogeneous		93% Non-fibrous (Other)	7% Chrysotile
18-Mastic 1 431911023-0018A	200 - RM 201 - FLOOR T/M - BOTTOM	Black Non-Fibrous Homogeneous		97% Non-fibrous (Other)	3% Chrysotile
18-Mastic 2 431911023-0018B	200 - RM 201 - FLOOR T/M - BOTTOM	Yellow Non-Fibrous Homogeneous		100% Non-fibrous (Other)	None Detected
19 431911023-0019	200 - RM 201 - CB M	Yellow Non-Fibrous Homogeneous		100% Non-fibrous (Other)	None Detected
20-Skim Coat 431911023-0020	200 - RM 201 - WALL PLASTER CORE	White Non-Fibrous Homogeneous		100% Non-fibrous (Other)	None Detected
20-Plaster 431911023-0020A	200 - RM 201 - WALL PLASTER CORE	Tan Non-Fibrous Homogeneous		100% Non-fibrous (Other)	None Detected
21 431911023-0021 <i>Sample only contained a white skim coat.</i>	200 - MENS RR - WALL PLASTER CORE	White Non-Fibrous Homogeneous		100% Non-fibrous (Other)	None Detected
22-Skim Coat 431911023-0022	200 - WOMENS RR - WALL PLASTER CORE	White Non-Fibrous Homogeneous		100% Non-fibrous (Other)	None Detected
22-Plaster 431911023-0022A	200 - WOMENS RR - WALL PLASTER CORE	Tan Non-Fibrous Homogeneous		100% Non-fibrous (Other)	None Detected
23-Drywall 431911023-0023	200 - CUSTODIAL RM - DW CORE	White Non-Fibrous Homogeneous	2% Cellulose	98% Non-fibrous (Other)	None Detected

Initial report from: 12/18/2019 20:09:42



EMSL Analytical, Inc.

7916 Convoy Court, Building 4, Suite A San Diego, CA 92111

Tel/Fax: (858) 499-1303 / (858) 499-1304

<http://www.EMSL.com> / sandiegolab@emsl.com

EMSL Order: 431911023
Customer ID: WEST60
Customer PO:
Project ID:

Test Report: Asbestos Analysis of Bulk Materials via EPA 600/R-93/116 Method using Polarized Light Microscopy

Sample	Description	Appearance	Non-Asbestos		Asbestos
			% Fibrous	% Non-Fibrous	% Type
23-Tape <i>431911023-0023A</i>	200 - CUSTODIAL RM - DW CORE	Brown Fibrous Homogeneous	90% Cellulose	10% Non-fibrous (Other)	None Detected
23-Joint Compound <i>431911023-0023B</i>	200 - CUSTODIAL RM - DW CORE	White Non-Fibrous Homogeneous		100% Non-fibrous (Other)	None Detected
24-Insulation 1 <i>431911023-0024</i>	200 - MECH RM - SMALL TANK INS.	Gray Fibrous Homogeneous		40% Non-fibrous (Other)	60% Chrysotile
24-Insulation 2 <i>431911023-0024A</i>	200 - MECH RM - SMALL TANK INS.	Beige Non-Fibrous Homogeneous		40% Non-fibrous (Other)	60% Chrysotile
24-Tape <i>431911023-0024B</i>	200 - MECH RM - SMALL TANK INS.	Silver/Yellow Fibrous Heterogeneous <i>Tape present in sample. Possible contamination from insulation layers.</i>	20% Cellulose	77% Non-fibrous (Other)	3% Chrysotile
25-Tape <i>431911023-0025</i>	200 - MECH RM - DUCT INSULATION	Beige Fibrous Homogeneous <i>Tape present in sample.</i>	90% Cellulose	10% Non-fibrous (Other)	None Detected
25-Insulation <i>431911023-0025A</i>	200 - MECH RM - DUCT INSULATION	Beige Fibrous Homogeneous	90% Min. Wool	5% Perlite 5% Non-fibrous (Other)	None Detected
26-Tape <i>431911023-0026</i>	200 - MECH - DUCT INSU	Beige Fibrous Homogeneous <i>Tape present in sample.</i>	90% Cellulose	10% Non-fibrous (Other)	None Detected
26-Insulation <i>431911023-0026A</i>	200 - MECH - DUCT INSU	Beige Fibrous Homogeneous	90% Min. Wool	5% Perlite 5% Non-fibrous (Other)	None Detected
27 <i>431911023-0027</i>	200 - MECH - DUCT TAPE ON HVAC	Beige Fibrous Homogeneous	90% Cellulose	10% Non-fibrous (Other)	None Detected
28 <i>431911023-0028</i>	200 - MECH - DUCT TAPE ON HVAC	Beige Fibrous Homogeneous	90% Cellulose	10% Non-fibrous (Other)	None Detected
29 <i>431911023-0029</i>	200 - MECH - DUCT TAPE ON HVAC	White Fibrous Homogeneous	90% Cellulose	10% Non-fibrous (Other)	None Detected

Analyst(s)

Brooke Batten (21)
Liduvina Delgado (25)

Mariah Curran, Laboratory Manager
or Other Approved Signatory

EMSL maintains liability limited to cost of analysis. The above analyses were performed in general compliance with Appendix E to Subpart E of 40 CFR (previously EPA 600/M4-82-020 "Interim Method"), but augmented with procedures outlined in the 1993 ("final") version of the method. This report relates only to the samples reported above, and may not be reproduced, except in full, without written approval by EMSL. EMSL bears no responsibility for sample collection activities or analytical method limitations. Interpretation and use of test results are the responsibility of the client. All samples received in acceptable condition unless otherwise noted. This report must not be used by the client to claim product certification, approval, or endorsement by NVLAP, NIST or any agency of the federal government. EMSL recommends gravimetric reduction for all non-friable organically bound materials prior to analysis. Estimation of uncertainty is available on request.

Samples analyzed by EMSL Analytical, Inc. San Diego, CA NVLAP Lab Code 200855-0, CA ELAP 2713, HI L-09-03

Initial report from: 12/18/2019 20:09:42

#431911023

Asbestos Bulk Sampling - Chain of Custody

WEST LLC 7966 Arjons Drive, #110 San Diego, CA 92115 Tel: 858.271.1842 Tel: 858.271.1856	Project Name: Bldg. 200-IVC	Contact: David A. Christy (619) 571-3987	Laboratory to be used: EMSL Analytical
	Project Location: 51 CENTRO CA.	Fax Results: (858) 271-1856	City/State: San Diego, California

Turn Around Time: 2 day (48 hour)

Relinquished By: (sign / print)	Company	Date / Time	Received By: (sign / print)	Date / Time
<i>W. Christy</i>	WEST	12/16/19	<i>[Signature]</i> RIVON ALJEN	12/16/19 3:25 pm

Sample #	Date	Bldg Floor	Sample Location	Sample Description	Analysis Requested		
01	12/16/19	200	Rm 205	2x4 Ceiling Tiles	Asbestos PLM		
02				↓	Asbestos PLM		
03				JOINT Compound	Asbestos PLM		
04				DRYWALL WALL CORE	Asbestos PLM		
05				COVER BASE & MASTIC	Asbestos PLM		
06				Carpet Glue	Asbestos PLM		
07				N	Block Grout	Asbestos PLM	
08				E	Block Grout	Asbestos PLM	
09				N	Cinder Block	Asbestos PLM	
10				E	Cinder Block	Asbestos PLM	
11					Rm. 206	12x12 Ceiling Tile	Asbestos PLM
12					↓	9x9 Floor Tile & Mastic	Asbestos PLM
13		↓	PLASTER - WALL CORE	Asbestos PLM			
14		Rm. 208	↓ ↓	Asbestos PLM			
15		↓	Carpet Glue	Asbestos PLM			
16		↓	FLOOR FLAT	Asbestos PLM			
17		Rm. 201	FLOOR TILE & MASTIC	Asbestos PLM			
18		↓	FLOOR TILE & MASTIC	Asbestos PLM			
19		↓	COVER BASE MASTIC	Asbestos PLM			
20		↓	WALL PLASTER CORE	Asbestos PLM			
21		MENS RR	↓ ↓	Asbestos PLM			
22		Womens RR	↓ ↓	Asbestos PLM			
23		Custodial Rm.	DRYWALL CORE	Asbestos PLM			
24		Mech. Rm.	SMALL TANK INS.	Asbestos PLM			
25		↓	DUCT INS.	Asbestos PLM			

INSULATION
AC



WESTERN ENVIRONMENTAL & SAFETY TECHNOLOGIES LLC

“an environmental consulting firm”

Attachment Two - Lead Paint Inspection Report

Professional Environmental Consulting
and Training
Asbestos
Lead
Mold/Healthy Homes



Working for a clean environment
1101 California Ave, Suite 100
Corona, CA 92881
(951) 273-3410
info@allstate-services.com
www.allstate-services.com

December 2, 2019

Western Environmental & Safety Tech.
Mr. David Christy
7966 Arjons Drive, Suite 110
San Diego, California 92126

RE: Lead-based paint testing at Imperial Valley College, 380 East Aten Road, Imperial,
California 92251

Dear Mr. David Christy:

In accordance with your request and authorization, Allstate Services conducted lead-based paint testing at Imperial Valley College located at 380 East Aten Road in Imperial, California on November 26, 2019. Please note that only selected areas in Building 200, 300, and 800 were tested for lead-based paint at this time.

The on-site work was performed by John Castorini, California Certified Lead Inspector/Assessor #13642 using an XRF Analyzer following all required protocols.

Lead-based paint was not identified on the selected surfaces tested at the above-mentioned property. Please see the attached Detailed XRF Testing Results for further details.

If you need any further assistance after reviewing your report, please do not hesitate to contact me. Allstate Services remains available to assist you in anyway possible.

Sincerely,

A handwritten signature in black ink that reads "Steven Travers". The signature is written in a cursive style.

Steven J. Travers
Director of Operations

Attachments: Detailed XRF Testing Results, Calibration Log, Inspector Certification
Copy, 8552 Form

DETAILED XRF TESTING RESULTS

Imperial Valley College
380 Aten Road, Imperial, California 92251

Sample	Area	Room Equivalent	Side Tested	Component	Substrate	Color	Condition	Lead (mg/cm ²)	Results	Quantities For Entire Area	Comments
1	Exterior	Building 200	A	Wall	Concrete	Brown	Deteriorated	0.1	Negative		
2	Exterior	Building 200	B	Wall	Concrete	Brown	Deteriorated	0.0	Negative		
3	Exterior	Building 200	C	Wall	Concrete	Brown	Deteriorated	0.1	Negative		
4	Exterior	Building 200	D	Wall	Concrete	Brown	Deteriorated	0.1	Negative		
5	Exterior	Building 200	A	Door	Metal	Brown	Intact	0.0	Negative		
6	Exterior	Building 200	A	Door Frame	Metal	Brown	Intact	0.1	Negative		
7	Exterior	Building 200	A	Overhang	Metal	Blue	Intact	0.0	Negative		
8	Exterior	Building 200	A	Window Frame	Metal	Brown	Intact	0.0	Negative		
9	Interior	Room 208	A	Wall	Metal	White	Intact	0.1	Negative		
10	Interior	Room 208	B	Wall	Plaster	White	Intact	0.1	Negative		
11	Interior	Room 208	C	Wall	Plaster	White	Intact	0.0	Negative		
12	Interior	Room 208	D	Wall	Plaster	White	Intact	0.0	Negative		
13	Interior	Room 208	A	Door	Metal	Brown	Intact	0.1	Negative		
14	Interior	Room 208	A	Door Frame	Metal	Brown	Intact	0.0	Negative		
15	Interior	Room 208	---	Ceiling	Acoustic	White	Intact	0.0	Negative		
16	Interior	Room 205	A	Wall	Concrete	White	Intact	0.1	Negative		
17	Interior	Room 205	B	Wall	Plaster	White	Intact	0.0	Negative		
18	Interior	Room 205	C	Wall	Plaster	White	Intact	0.1	Negative		
19	Interior	Room 205	D	Wall	Plaster	White	Intact	0.1	Negative		
20	Interior	Room 205	A	Door	Metal	Brown	Intact	0.1	Negative		
21	Interior	Room 205	A	Door Frame	Metal	Brown	Intact	0.1	Negative		
22	Interior	Room 205	---	Ceiling	Acoustic	White	Intact	0.1	Negative		
23	Interior	Women's Restroom	A	Wall	Concrete	White	Deteriorated	0.1	Negative		
24	Interior	Women's Restroom	B	Wall	Ceramic Tile	White	Deteriorated	0.0	Negative		
25	Interior	Women's Restroom	C	Wall	Ceramic Tile	White	Deteriorated	0.1	Negative		
26	Interior	Women's Restroom	D	Wall	Ceramic Tile	White	Deteriorated	0.1	Negative		
27	Interior	Women's Restroom	A	Door	Metal	Brown	Intact	0.1	Negative		
28	Interior	Women's Restroom	A	Door Frame	Metal	Brown	Intact	0.1	Negative		
29	Interior	Women's Restroom	---	Floor	Ceramic Tile	Grey	Intact	0.1	Negative		
30	Interior	Women's Restroom	---	Ceiling	Plaster	White	Deteriorated	0.1	Negative		
31	Interior	Men's Restroom	A	Wall	Plaster	White	Intact	0.1	Negative		
32	Interior	Men's Restroom	B	Wall	Ceramic Tile	White	Intact	0.1	Negative		
33	Interior	Men's Restroom	C	Wall	Ceramic Tile	White	Intact	0.0	Negative		
34	Interior	Men's Restroom	D	Wall	Ceramic Tile	White	Intact	0.1	Negative		
35	Interior	Men's Restroom	A	Door	Metal	Brown	Intact	0.1	Negative		
36	Interior	Men's Restroom	A	Door Frame	Metal	White	Intact	0.0	Negative		
37	Interior	Men's Restroom	A	Window Frame	Metal	White	Intact	0.1	Negative		
38	Interior	Men's Restroom	---	Floor	Ceramic Tile	Grey	Intact	0.1	Negative		
39	Interior	Men's Restroom	---	Ceiling	Plaster	White	Intact	0.1	Negative		
40	Exterior	Building 300	A	Wall	Concrete	Brown	Intact	0.1	Negative		
41	Exterior	Building 300	B	Wall	Concrete	Brown	Intact	0.1	Negative		
42	Exterior	Building 300	C	Wall	Concrete	Brown	Intact	0.0	Negative		
43	Exterior	Building 300	D	Wall	Concrete	Brown	Intact	0.1	Negative		

DETAILED XRF TESTING RESULTS

Imperial Valley College
380 Aten Road, Imperial, California 92251

Sample	Area	Room Equivalent	Side Tested	Component	Substrate	Color	Condition	Lead (mg/cm ²)	Results	Quantities For Entire Area	Comments
44	Exterior	Building 300	A	Door	Metal	Brown	Intact	0.1	Negative		
45	Exterior	Building 300	A	Door Frame	Metal	Brown	Intact	0.1	Negative		
46	Exterior	Building 300	A	Window Frame	Metal	Brown	Intact	0.0	Negative		
47	Exterior	Building 300	---	Overhang	Metal	Blue	Intact	0.1	Negative		
48	Interior	Room 315	A	Wall	Concrete	Tan	Intact	0.1	Negative		
49	Interior	Room 315	B	Wall	Plaster	Tan	Intact	0.1	Negative		
50	Interior	Room 315	C	Wall	Plaster	Tan	Intact	0.2	Negative		
51	Interior	Room 315	D	Wall	Plaster	Tan	Intact	0.1	Negative		
52	Interior	Room 315	A	Door	Metal	Brown	Intact	0.1	Negative		
53	Interior	Room 315	A	Door Frame	Metal	Brown	Intact	0.1	Negative		
54	Interior	Room 315	---	Ceiling	Acoustic	White	Intact	0.2	Negative		
55	Interior	Room 305	A	Wall	Concrete	White	Deteriorated	0.1	Negative		
56	Interior	Room 305	B	Wall	Plaster	White	Deteriorated	0.0	Negative		
57	Interior	Room 305	C	Wall	Plaster	White	Deteriorated	0.1	Negative		
58	Interior	Room 305	D	Wall	Plaster	White	Deteriorated	0.1	Negative		
59	Interior	Room 305	A	Door	w	Brown	Deteriorated	0.0	Negative		
60	Interior	Room 305	A	Door Frame	Metal	White	Deteriorated	0.1	Negative		
61	Interior	Room 305	A	Window Frame	Metal	Brown	Intact	0.1	Negative		
62	Interior	Room 305	---	Ceiling	Acoustic	White	Deteriorated	0.1	Negative		
63	Exterior	Building 800	A	Wall	Concrete	Brown	Intact	0.0	Negative		
64	Exterior	Building 800	B	Wall	Concrete	Brown	Intact	0.1	Negative		
65	Exterior	Building 800	C	Wall	Concrete	Brown	Intact	0.2	Negative		
66	Exterior	Building 800	D	Wall	Concrete	Brown	Intact	0.1	Negative		
67	Exterior	Building 800	A	Door	Metal	Brown	Intact	0.2	Negative		
68	Exterior	Building 800	A	Door Frame	Metal	Brown	Intact	0.1	Negative		
69	Exterior	Building 800	A	Window Frame	Metal	Brown	Intact	0.0	Negative		
70	Exterior	Building 800	A	Overhang	Metal	Blue	Intact	0.0	Negative		
71	Interior	Men's Restroom	A	Wall	Ceramic Tile	White	Intact	0.0	Negative		
72	Interior	Men's Restroom	B	Wall	Ceramic Tile	White	Intact	0.1	Negative		
73	Interior	Men's Restroom	C	Wall	Ceramic Tile	White	Intact	0.1	Negative		
74	Interior	Men's Restroom	D	Wall	Concrete	White	Intact	0.0	Negative		
75	Interior	Men's Restroom	A	Door	Metal	Brown	Intact	0.1	Negative		
76	Interior	Men's Restroom	A	Door Frame	Metal	Brown	Intact	0.1	Negative		
77	Interior	Men's Restroom	---	Floor	Ceramic Tile	Grey	Intact	0.1	Negative		
78	Interior	Men's Restroom	---	Ceiling	Plaster	White	Intact	0.0	Negative		
79	Interior	Women's Restroom	A	Wall	Ceramic Tile	White	Deteriorated	0.1	Negative		
80	Interior	Women's Restroom	B	Wall	Ceramic Tile	White	Deteriorated	0.0	Negative		
81	Interior	Women's Restroom	C	Wall	Ceramic Tile	White	Deteriorated	0.1	Negative		
82	Interior	Women's Restroom	D	Wall	Concrete	White	Deteriorated	0.1	Negative		
83	Interior	Women's Restroom	---	Ceiling	Plaster	White	Deteriorated	0.1	Negative		
84	Interior	Women's Restroom	---	Floor	Ceramic Tile	Grey	Deteriorated	0.0	Negative		
85	Interior	Room 804	A	Wall	Concrete	White	Intact	0.1	Negative		
86	Interior	Room 804	B	Wall	Plaster	White	Intact	0.1	Negative		

DETAILED XRF TESTING RESULTS

Imperial Valley College
380 Aten Road, Imperial, California 92251

Sample	Area	Room Equivalent	Side Tested	Component	Substrate	Color	Condition	Lead (mg/cm ²)	Results	Quantities For Entire Area	Comments
87	Interior	Room 804	C	Wall	Plaster	White	Intact	0.1	Negative		
88	Interior	Room 804	D	Wall	Plaster	White	Intact	0.1	Negative		
89	Interior	Room 804	A	Door	Metal	Brown	Intact	0.1	Negative		
90	Interior	Room 804	A	Door Frame	Metal	Brown	Intact	0.0	Negative		
91	Interior	Room 804	A	Window Frame	Metal	Brown	Intact	0.1	Negative		
92	Interior	Room 804	---	Ceiling	Acoustic	White	Deteriorated	0.1	Negative		
93	Interior	Room 801	A	Wall	Concrete	White	Intact	0.0	Negative		
94	Interior	Room 801	B	Wall	Plaster	White	Intact	0.1	Negative		
95	Interior	Room 801	C	Wall	Plaster	White	Intact	0.1	Negative		
96	Interior	Room 801	D	Wall	Plaster	White	Intact	0.1	Negative		
97	Interior	Room 801	A	Door	Wood	Brown	Intact	0.2	Negative		
98	Interior	Room 801	A	Door Frame	Wood	Brown	Intact	0.1	Negative		
99	Interior	Room 801	---	Ceiling	Acoustic	White	Intact	0.0	Negative		

ALLSTATE SERVICES
XRF CALIBRATION FORM

Address: Imperial Valley College, 380 East Aten Road, Imperial, California 92251

Device: Protec LPA-1 SN: 4009

Date: November 26, 2019

Inspector: John Castorini

Calibration Check Tolerance Used: 0.6 mg/cm² - 1.2 mg/cm² (Inclusive)
Use Level III (1.02 mg/cm²) NIST SRM Paint film

First Calibration Check

Time: 9:05 a.m.

1 st Reading	2 nd Reading	3 rd Reading	1 st Average
1.0	1.0	1.0	1.0

Second Calibration Check

Time: 10:25 a.m.

1 st Reading	2 nd Reading	3 rd Reading	2 nd Average
0.9	1.0	1.0	1.0

Third Calibration Check (If Needed)

Time:

1 st Reading	2 nd Reading	3 rd Reading	3 rd Average

State of California Department of Public Health

Lead-Related
Construction
Certificate

Certificate
Type

Expiration
Date

Inspector/Assessor	03/14/2020
Project Monitor	03/14/2020



John P. Castorini ID #: 13642

LEAD HAZARD EVALUATION REPORT

Section 1 – Date of Lead Hazard Evaluation _____

Section 2 – Type of Lead Hazard Evaluation (Check one box only)

Lead Inspection Risk assessment Clearance Inspection Other (specify) _____

Section 3 – Structure Where Lead Hazard Evaluation Was Conducted

Address [number, street, apartment (if applicable)]		City	County	Zip Code
Construction date (year) of structure	Type of structure <input type="checkbox"/> Multi-unit building <input type="checkbox"/> School or daycare <input type="checkbox"/> Single family dwelling <input type="checkbox"/> Other _____		Children living in structure? <input type="checkbox"/> Yes <input type="checkbox"/> No <input type="checkbox"/> Don't Know	


Section 4 – Owner of Structure (if business/agency, list contact person)

Name		Telephone number		
Address [number, street, apartment (if applicable)]		City	State	Zip Code

Section 5 – Results of Lead Hazard Evaluation (check all that apply)

No lead-based paint detected
 Intact lead-based paint detected
 Deteriorated lead-based paint detected
 No lead hazards detected
 Lead-contaminated dust found
 Lead-contaminated soil found
 Other _____

Section 6 – Individual Conducting Lead Hazard Evaluation

Name		Telephone number		
Address [number, street, apartment (if applicable)]		City	State	Zip Code
CDPH certification number	Signature 		Date	

Name and CDPH certification number of any other individuals conducting sampling or testing (if applicable)

Section 7 – Attachments

- A. A foundation diagram or sketch of the structure indicating the specific locations of each lead hazard or presence of lead-based paint;
- B. Each testing method, device, and sampling procedure used;
- C. All data collected, including quality control data, laboratory results, including laboratory name, address, and phone number.

First copy and attachments retained by inspector
 Second copy and attachments retained by owner

Third copy only (no attachments) mailed or faxed to:
 California Department of Public Health
 Childhood Lead Poisoning Prevention Branch Reports
 850 Marina Bay Parkway, Building P, Third Floor
 Richmond, CA 94804-6403
 Fax: (510) 620-5656

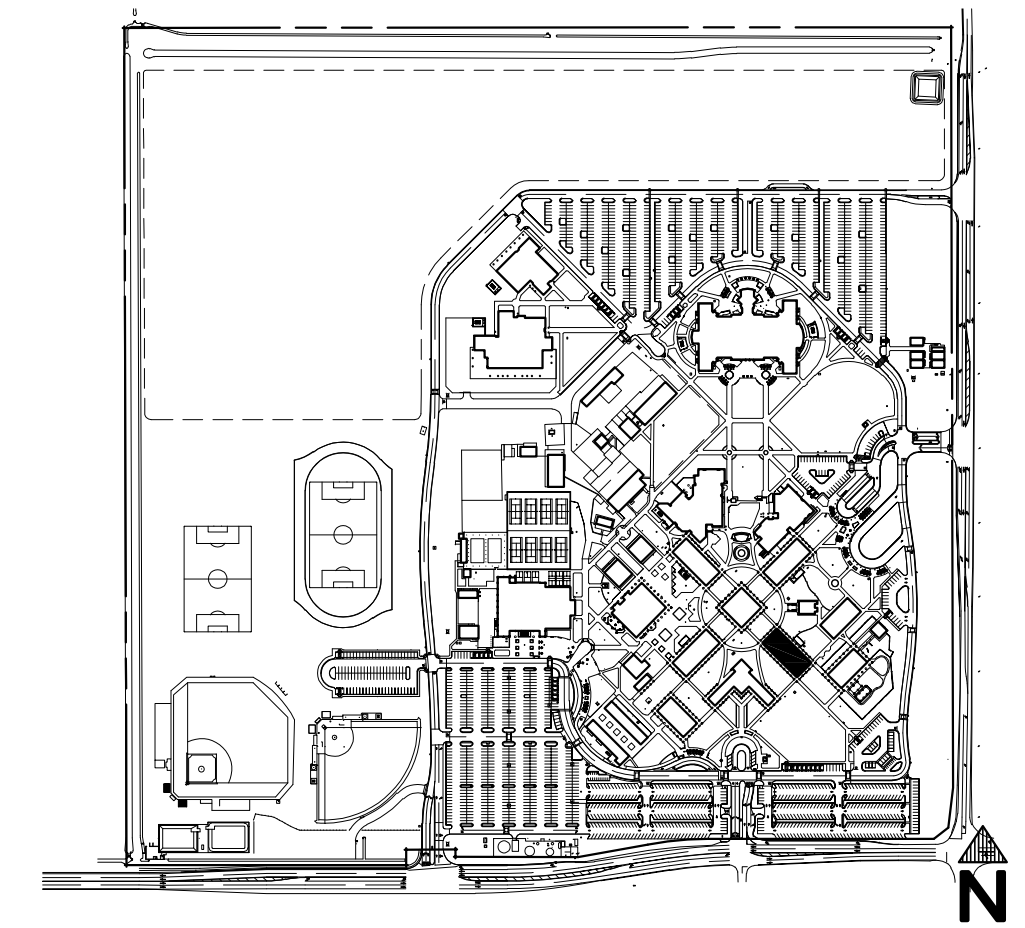
WALL TYPES:

- EXISTING 2-HR 8" CMU WALL
- EXISTING 2x WOOD STUD WALL
- NEW 8" CMU WALL
- NEW 8" CMU OPENING INFILL
- NEW 4" METAL STUD @ 16" O.C.
- NEW 12" WALL w/ (2) 4" METAL STUD @ 16" O.C.
- NEW 1-HR 6" METAL STUD @ 16" O.C.
- 4" METAL STUD w/ 6" CONCRETE CURB

FURRING TYPES:

- 6" METAL STUD @ 16" O.C.
- 4" METAL STUD @ 16" O.C.
- 4" METAL STUD @ 16" O.C. w/ 2" GAP TO WALL AND 6" CONCRETE CURB
- 2-1/2" METAL STUD @ 16" O.C.
- 6" METAL STUD @ 16" O.C. - ABOVE / BELOW WHITE BOARD

APPROVALS



KEY PLAN - BLDG 200

KEYNOTES:

- ① LINE OF EXISTING COVERED WALK
- ② EXISTING CMU COLUMN
- ③ HPL CASE WORK - SEE INTERIOR ELEVATIONS
- ④ ACCESSIBLE WORKSTATION - SEE INTERIOR ELEVATIONS
- ⑤ LECTERN - SEE SPECIFICATIONS
- ⑥ MARKER BOARD / TACK BOARD - SEE INTERIOR ELEVATIONS
- ⑦ PLUMBING FIXTURE - SEE PLUMBING DRAWINGS
- ⑧ RECESSED FIRE EXTINGUISHER CABINET w/ TEMPERED GLASS - 48" TALL EXTINGUISHER HANDLE CABINET HANDLE SHALL BE OPERABLE w/ ONE HAND AND SHALL NOT REQUIRE GRASPING, PINCHING, OR TWISTING OF THE WRIST AND HAVE A MAX OPERATING FORCE OF 5 LBS
- ⑨ SOFFIT OR CHANGE IN CEILING HEIGHT
- ⑩ FIRE ALARM CONTROL PANEL - SEE FIRE ALARM DRAWINGS
- ⑪ NOT USED
- ⑫ HALL-MOUNTED TRACK SYSTEM FOR FLAT PANEL MONITOR - SEE SPECIFICATIONS AND SHEET
- ⑬ FLAT PANEL MONITOR - SEE SPECIFICATIONS
- ⑭ ELECTRICAL EQUIPMENT - SEE ELECTRICAL DRAWINGS
- ⑮ COMMUNICATIONS EQUIPMENT - SEE COMMUNICATIONS DRAWINGS
- ⑯ ROOF ACCESS SHIPS LADDER AND HATCH

LEGEND:

- DOOR NUMBER - SEE DOOR SCHEDULE
- ① WINDOW NUMBER - SEE WINDOW SCHEDULE
- P.H. PANIC HARDWARE
- 11 STRUCTURAL GRID TAG

NOTES:

1. FOR ALL RATED WALL ASSEMBLY DESIGNS SEE 17
2. 5% MIN. OF EACH TYPE OF FURNITURE ITEMS TO MEET ACCESSIBILITY REQUIREMENTS PER 2016 CBC.
3. ALL FURRINGS ON EXTERIOR WALLS TO HAVE BATT INSULATION (R-11 @ 6", R-11 @ 4")
4. ALL FRAMED INTERIOR WALLS TO HAVE SOUND ATTENUATION BATT INSULATION
5. FLAME SPREAD RATING FOR WALL INSULATION NOT TO EXCEED 25 AND SMOKE DEVELOPED INDEX NOT TO EXCEED 450 WHEN TESTED IN ACCORDANCE WITH ASTM E 84.
6. HALL STUDS AND FURRING TO EXTEND TO UNDERSIDE OF DECK, SEE 16, 22
7. GYP BD ON HALL FINISHES TO EXTEND TO UNDERSIDE OF DECK UNO, SEE ALSO

Sanders, INC.
Architecture/Engineering
 102 INDUSTRY WAY, SUITE A
 EL CENTRO, CA 92243
 760 353 5440 FAX 760 353 5442

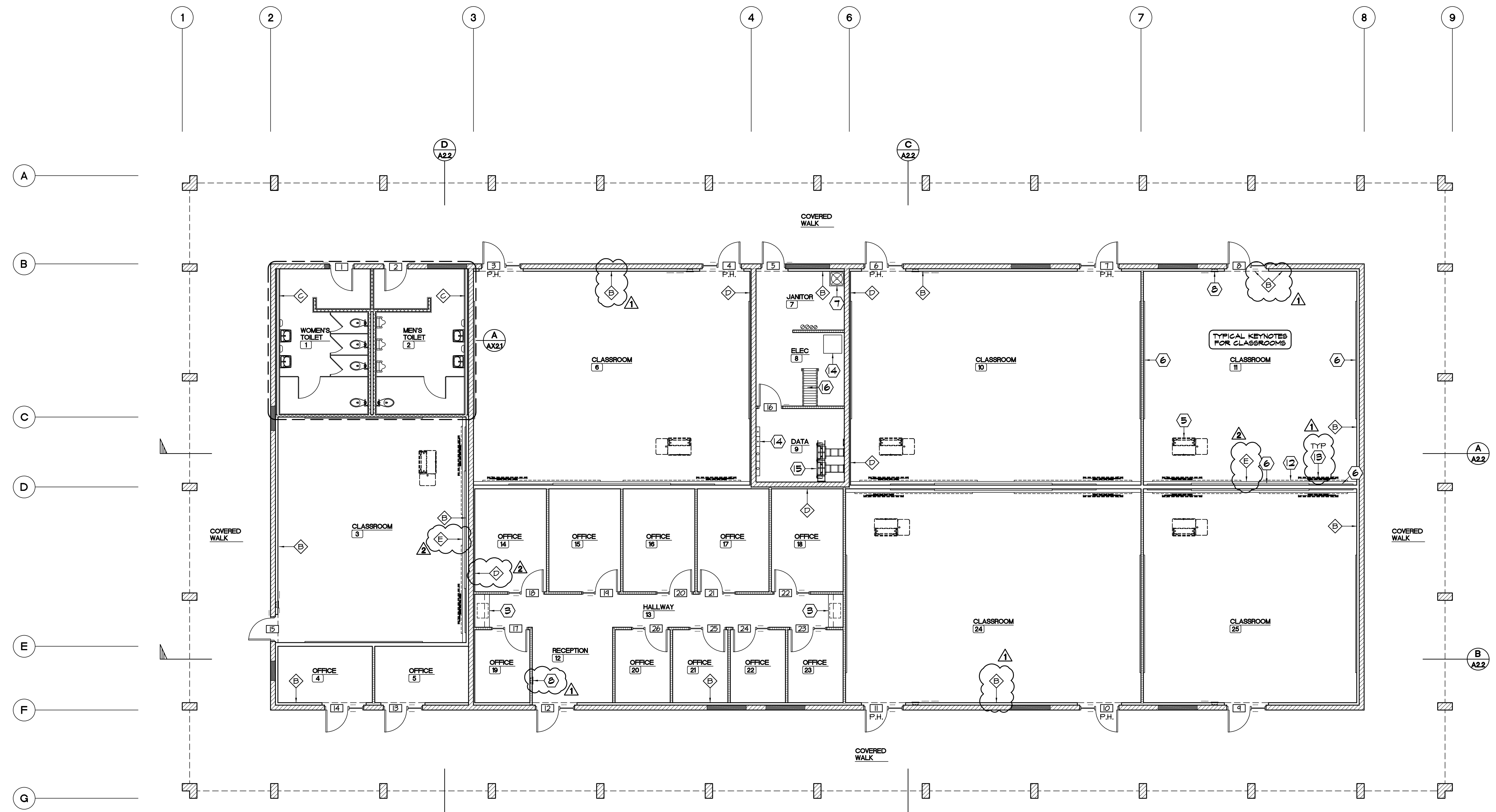
Project Title
**IMPERIAL VALLEY COLLEGE
 BUILDING 200, 300 AND 800 MODERNIZATION**

Sheet Title
FLOOR PLAN - ARCHITECTURAL

	Document Date 09-13-19	Project Number 19-121V
	Date Last Revised 01-20-21	Reference Sheet AD-1_A2.13
	06-07-21	Sheet Number AD-2_A2.13

SCALE: 1/8" = 1'-0"

ARCHITECTURAL FLOOR PLAN



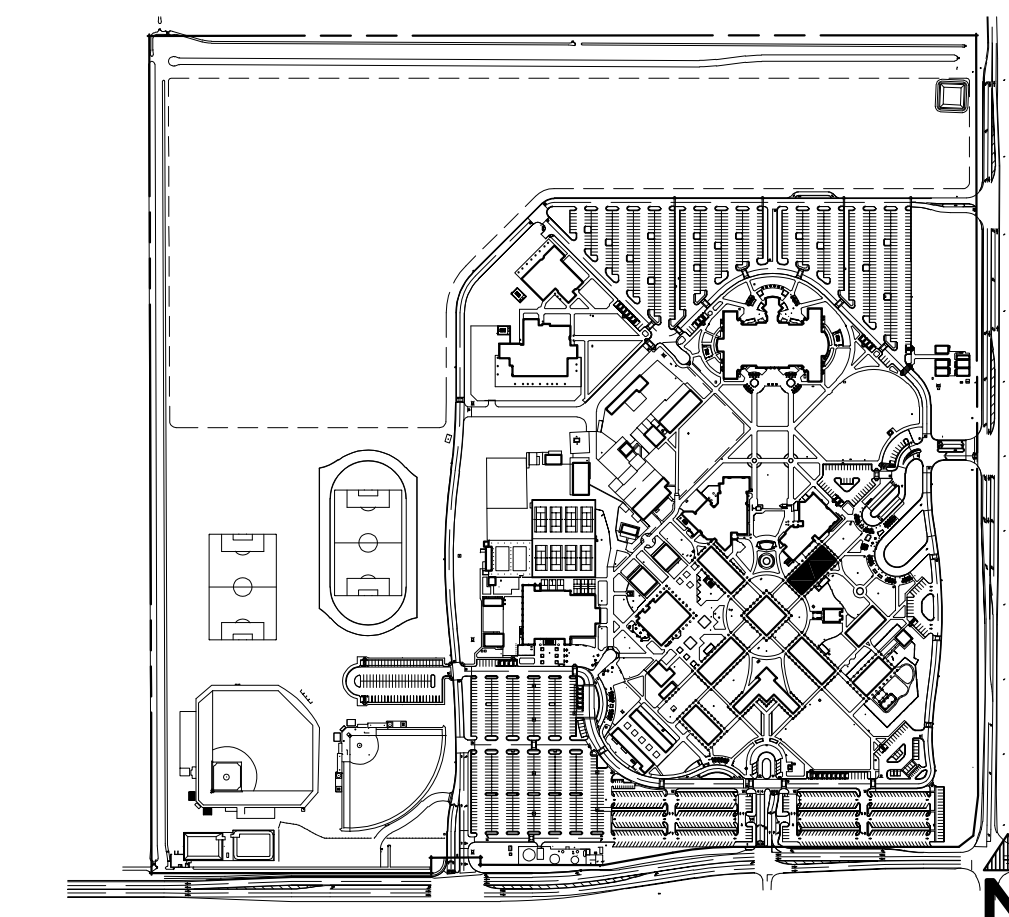
WALL TYPES:

- EXISTING 2-HR 8" CMU WALL
- EXISTING 2x WOOD STUD WALL
- NEW 8" CMU WALL
- NEW 8" CMU OPENING INFILL
- NEW 6" METAL STUD @ 16" O.C.
- NEW 4" METAL STUD @ 16" O.C.
- NEW 12" WALL W/ (2) 4" METAL STUD @ 16" O.C.
- NEW 1-HR 6" METAL STUD @ 16" O.C.

FURRING TYPES:

- 6" METAL STUD @ 16" O.C.
- 4" METAL STUD @ 16" O.C.
- 4" METAL STUD @ 16" O.C. W/ 2" GAP TO WALL AND 6" CONCRETE CURB
- 2-1/2" METAL STUD @ 16" O.C.
- 6" METAL STUD @ 16" O.C. - ABOVE / BELOW WHITE BOARD

APPROVALS



KEY PLAN - BLDG 300

KEYNOTES:

- ① LINE OF EXISTING COVERED WALK
- ② EXISTING CMU COLUMN
- ③ HPL CASE WORK - SEE INTERIOR ELEVATIONS
- ④ ACCESSIBLE WORKSTATION - SEE INTERIOR ELEVATIONS
- ⑤ LECTERN - SEE SPECIFICATIONS
- ⑥ MARKER BOARD / TACK BOARD - SEE INTERIOR ELEVATIONS
- ⑦ PLUMBING FIXTURE - SEE PLUMBING DRAWINGS
- ⑧ RECESSED FIRE EXTINGUISHER CABINET W/ TEMPERED GLASS - 48" TALL EXTINGUISHER HANDLE CABINET HANDLE SHALL BE OPERABLE W/ ONE HAND AND SHALL NOT REQUIRE GRASPING, PINCHING, OR TWISTING OF THE WRIST AND HAVE A MAX OPERATING FORCE OF 5 LBS
- ⑨ SOFFIT OR CHANGE IN CEILING HEIGHT
- ⑩ FIRE ALARM CONTROL PANEL - SEE FIRE ALARM DRAWINGS
- ⑪ NOT USED
- ⑫ WALL-MOUNTED TRACK SYSTEM FOR FLAT PANEL MONITOR - SEE SPECIFICATIONS AND SHEET
- ⑬ FLAT PANEL MONITOR - SEE SPECIFICATIONS
- ⑭ ELECTRICAL EQUIPMENT - SEE ELECTRICAL DRAWINGS
- ⑮ COMMUNICATIONS EQUIPMENT - SEE COMMUNICATIONS DRAWINGS
- ⑯ ROOF ACCESS SHIP'S LADDER AND HATCH
- ⑰ MUSIC FILING CABINET - OWNER FURNISHED, OWNER INSTALLED

LEGEND:

- DOOR NUMBER - SEE DOOR SCHEDULE
- WINDOW NUMBER - SEE WINDOW SCHEDULE
- P.H. PANIC HARDWARE
- 11 STRUCTURAL GRID TAG

NOTES:

- 1. FOR ALL RATED WALL ASSEMBLY DESIGNS SEE 17
- 2. 5% MIN. OF EACH TYPE OF FURNITURE ITEMS TO MEET ACCESSIBILITY REQUIREMENTS PER 2016 CBC.
- 3. ALL FURRINGS ON EXTERIOR WALLS TO HAVE BATT INSULATION (R-11 @ 6", R-11 @ 4")
- 4. ALL FRAMED INTERIOR WALLS TO HAVE SOUND ATTENUATION BATT INSULATION. FLAME SPREAD RATING FOR WALL INSULATION NOT TO EXCEED 25 AND SMOKE DEVELOPED INDEX NOT TO EXCEED 450 WHEN TESTED IN ACCORDANCE WITH ASTM E 84.
- 5. HALL STUDS AND FURRING TO EXTEND TO UNDERSIDE OF DECK. SEE 16, 22
- 6. GYP BD ON HALL FINISHES TO EXTEND TO UNDERSIDE OF DECK UNO. SEE ALSO 17

Sanders, INC.
Architecture/Engineering
 102 INDUSTRY WAY, SUITE A
 EL CENTRO, CA 92243
 760 353 5440 FAX 760 353 5442

Project Title
**IMPERIAL VALLEY COLLEGE
 BUILDING 200, 300 AND 800 MODERNIZATION**

Sheet Title
FLOOR PLAN - ARCHITECTURAL

	Document Date	Project Number
	09-13-19	19-121V
	Date Last Revised	Reference Sheet
01-20-21	AD-1_A3.13	
06-07-21	Sheet Number	
	AD-2_A3.13	

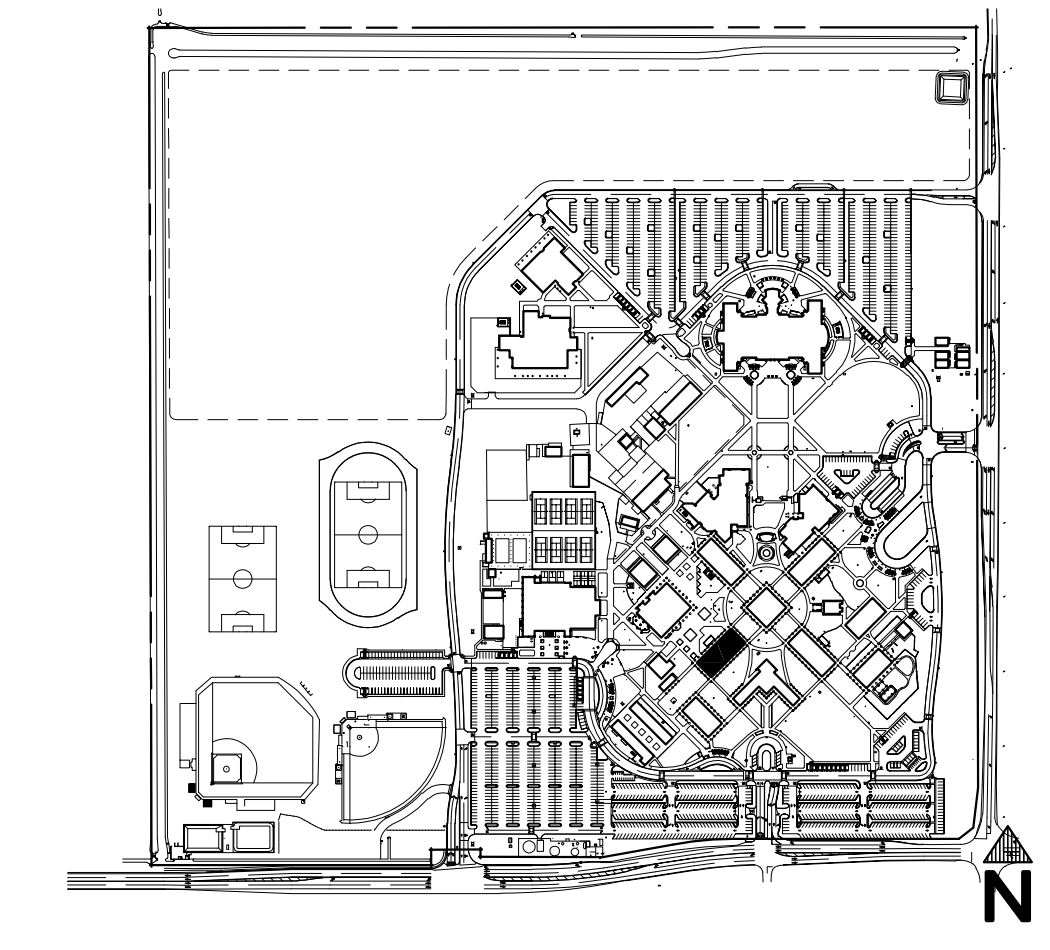
WALL TYPES:

- EXISTING 2-HR 8" CMU WALL
- EXISTING 2x WOOD STUD WALL
- NEW 8" CMU WALL
- NEW 8" CMU OPENING INFILL
- NEW 4" METAL STUD @ 16" O.C.
- NEW 12" WALL w/ (2) 4" METAL STUD @ 16" O.C.
- NEW 1-HR 6" METAL STUD @ 16" O.C.
- 4" METAL STUD w/ 6" CONCRETE CURB

FURRING TYPES:

- 6" METAL STUD @ 16" O.C.
- 4" METAL STUD @ 16" O.C.
- 4" METAL STUD @ 16" O.C. w/ 2" GAP TO WALL AND 6" CONCRETE CURB
- 2-1/2" METAL STUD @ 16" O.C.
- 6" METAL STUD @ 16" O.C. - ABOVE / BELOW WHITE BOARD

APPROVALS



KEY PLAN - BLDG 800

KEYNOTES:

- 1 LINE OF EXISTING COVERED WALK
- 2 EXISTING CMU COLUMN
- 3 HPL CASE WORK - SEE INTERIOR ELEVATIONS
- 4 ACCESSIBLE WORKSTATION - SEE INTERIOR ELEVATIONS
- 5 LECTERN - SEE SPECIFICATIONS
- 6 MARKER BOARD / TACK BOARD - SEE INTERIOR ELEVATIONS
- 7 PLUMBING FIXTURE - SEE PLUMBING DRAWINGS
- 8 RECESSED FIRE EXTINGUISHER CABINET w/ TEMPERED GLASS - 48" TALL EXTINGUISHER HANDLE CABINET HANDLE SHALL BE OPERABLE w/ ONE HAND AND SHALL NOT REQUIRE GRASPING, PINCHING, OR TWISTING OF THE WRIST AND HAVE A MAX OPERATING FORCE OF 5 LBS
- 9 SOFFIT OR CHANGE IN CEILING HEIGHT
- 10 FIRE ALARM CONTROL PANEL - SEE FIRE ALARM DRAWINGS
- 11 NOT USED
- 12 WALL-MOUNTED TRACK SYSTEM FOR FLAT PANEL MONITOR - SEE SPECIFICATIONS AND SHEET
- 13 FLAT PANEL MONITOR - SEE SPECIFICATIONS
- 14 ELECTRICAL EQUIPMENT - SEE ELECTRICAL DRAWINGS
- 15 COMMUNICATIONS EQUIPMENT - SEE COMMUNICATIONS DRAWINGS
- 16 ROOF ACCESS SHIP'S LADDER AND HATCH

LEGEND:

- DOOR NUMBER - SEE DOOR SCHEDULE
- WINDOW NUMBER - SEE WINDOW SCHEDULE
- P.H. PANIC HARDWARE
- 11 STRUCTURAL GRID TAG

NOTES:

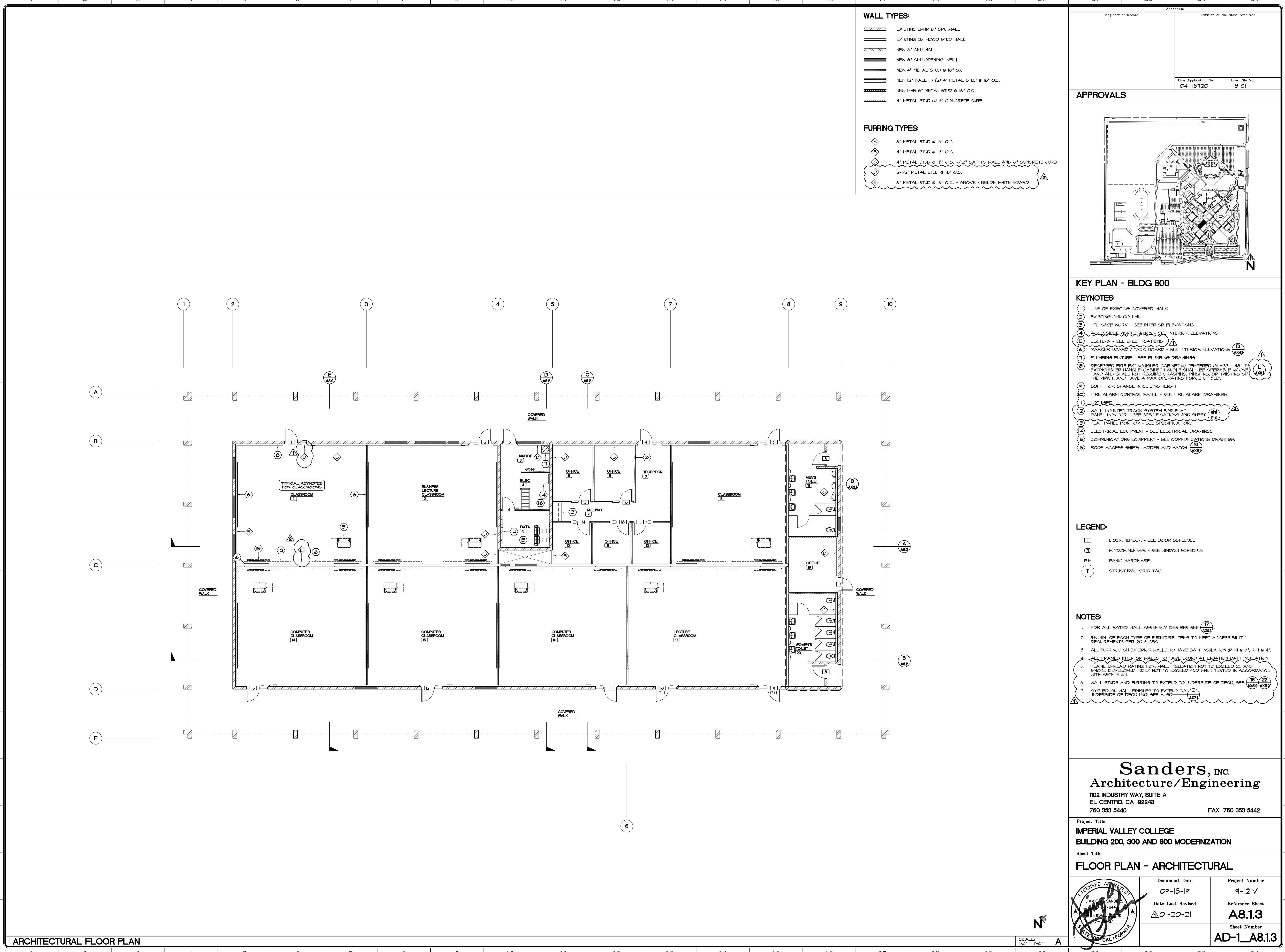
- 1. FOR ALL RATED WALL ASSEMBLY DESIGNS SEE 17
- 2. 5% MIN. OF EACH TYPE OF FURNITURE ITEMS TO MEET ACCESSIBILITY REQUIREMENTS PER 2016 CBC.
- 3. ALL FURRINGS ON EXTERIOR WALLS TO HAVE BATT INSULATION (R-11 @ 6", R-11 @ 4")
- 4. ALL FRAMED INTERIOR WALLS TO HAVE SOUND ATTENUATION BATT INSULATION. FLAME SPREAD RATING FOR WALL INSULATION NOT TO EXCEED 25 AND SMOKE DEVELOPED INDEX NOT TO EXCEED 450 WHEN TESTED IN ACCORDANCE WITH ASTM E 84.
- 5. HALL STUDS AND FURRING TO EXTEND TO UNDERSIDE OF DECK. SEE 16, 22
- 6. GYP BD ON HALL FINISHES TO EXTEND TO UNDERSIDE OF DECK UNO. SEE ALSO 17

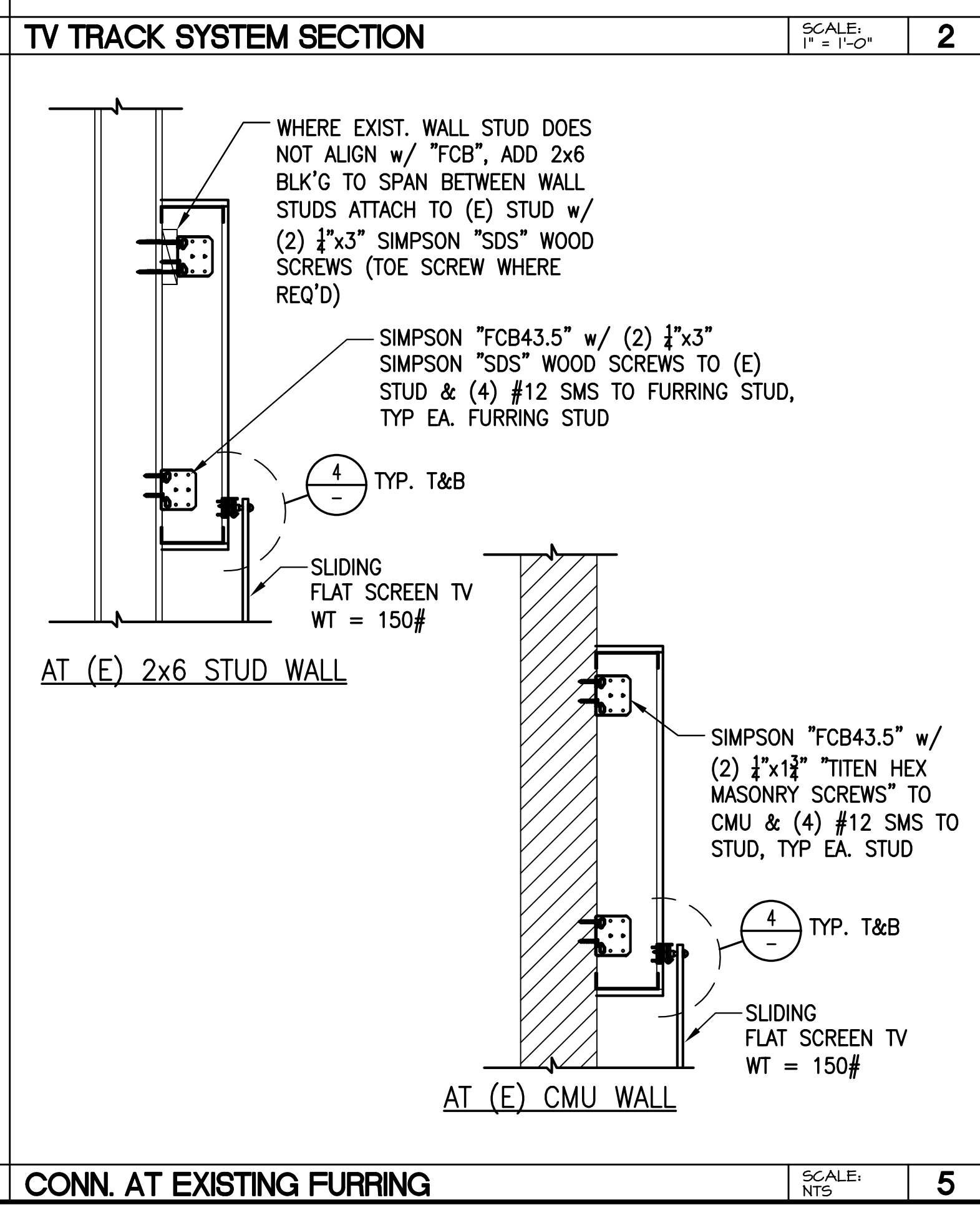
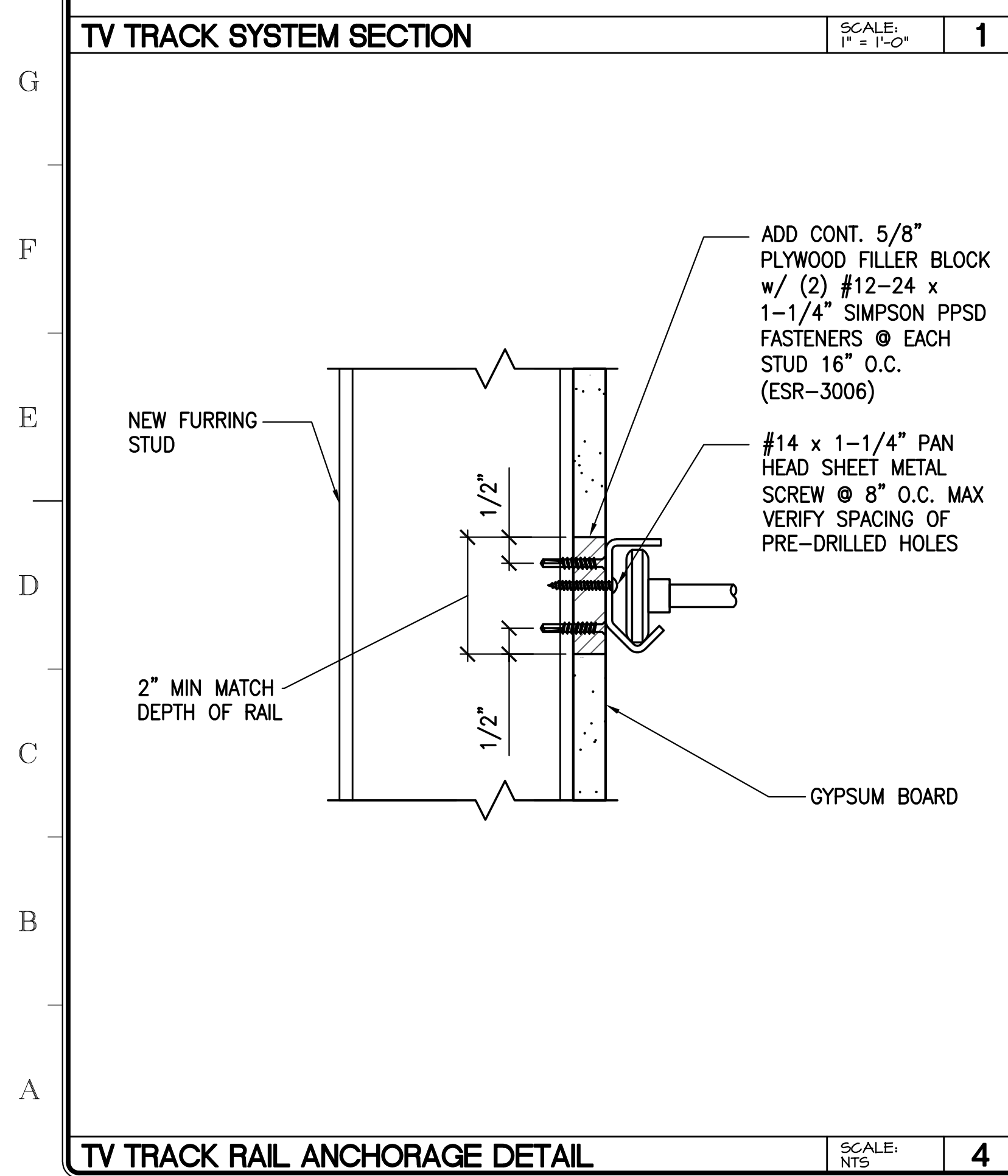
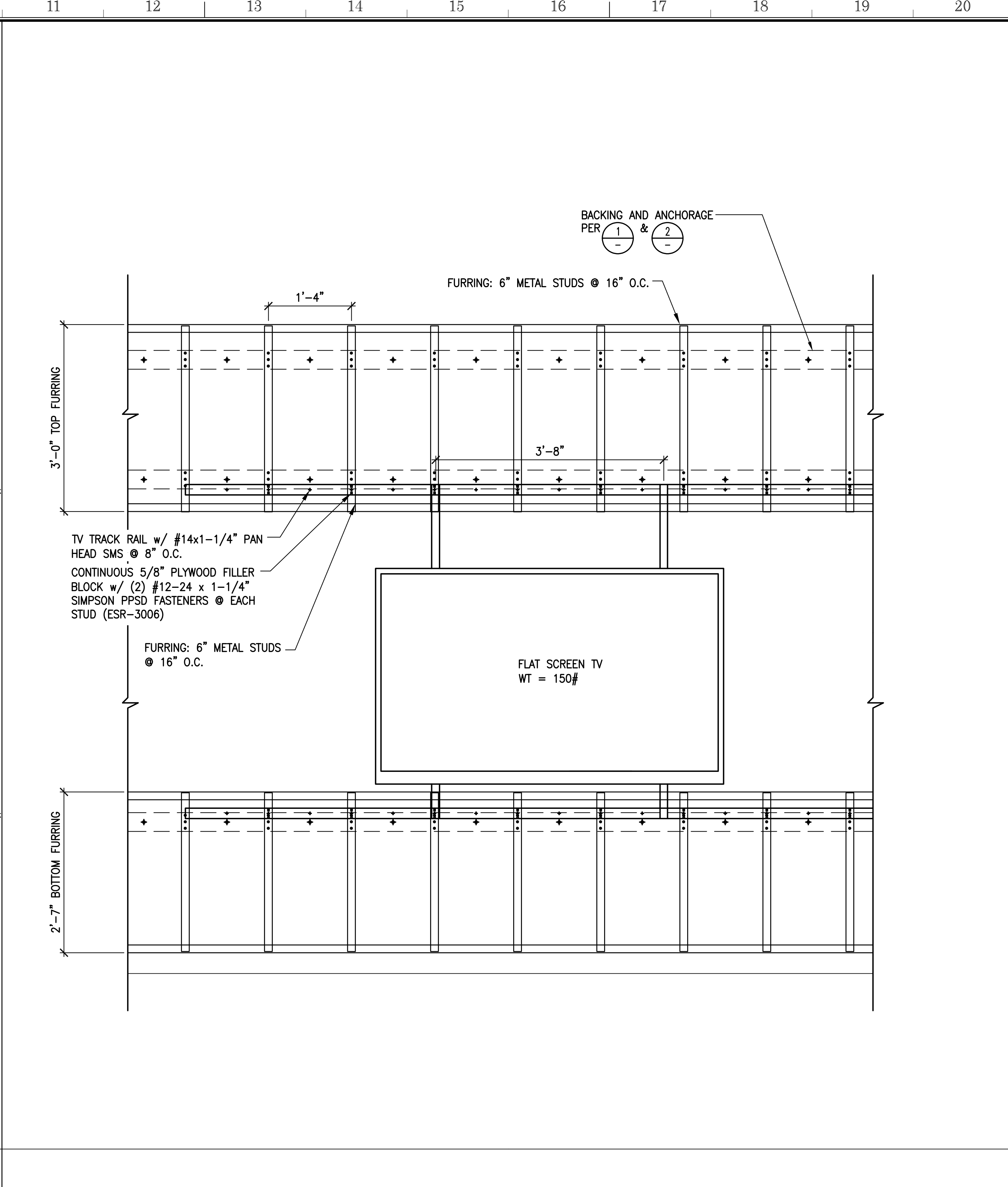
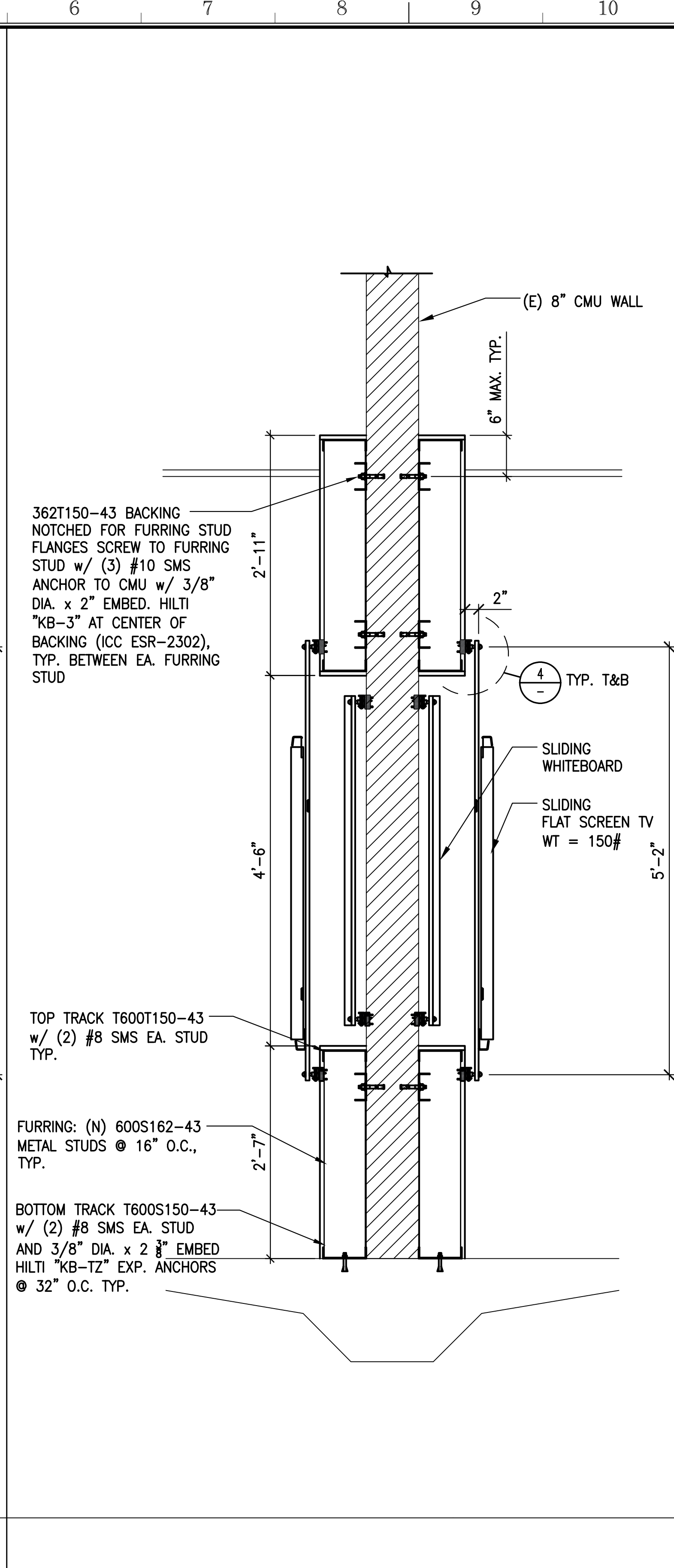
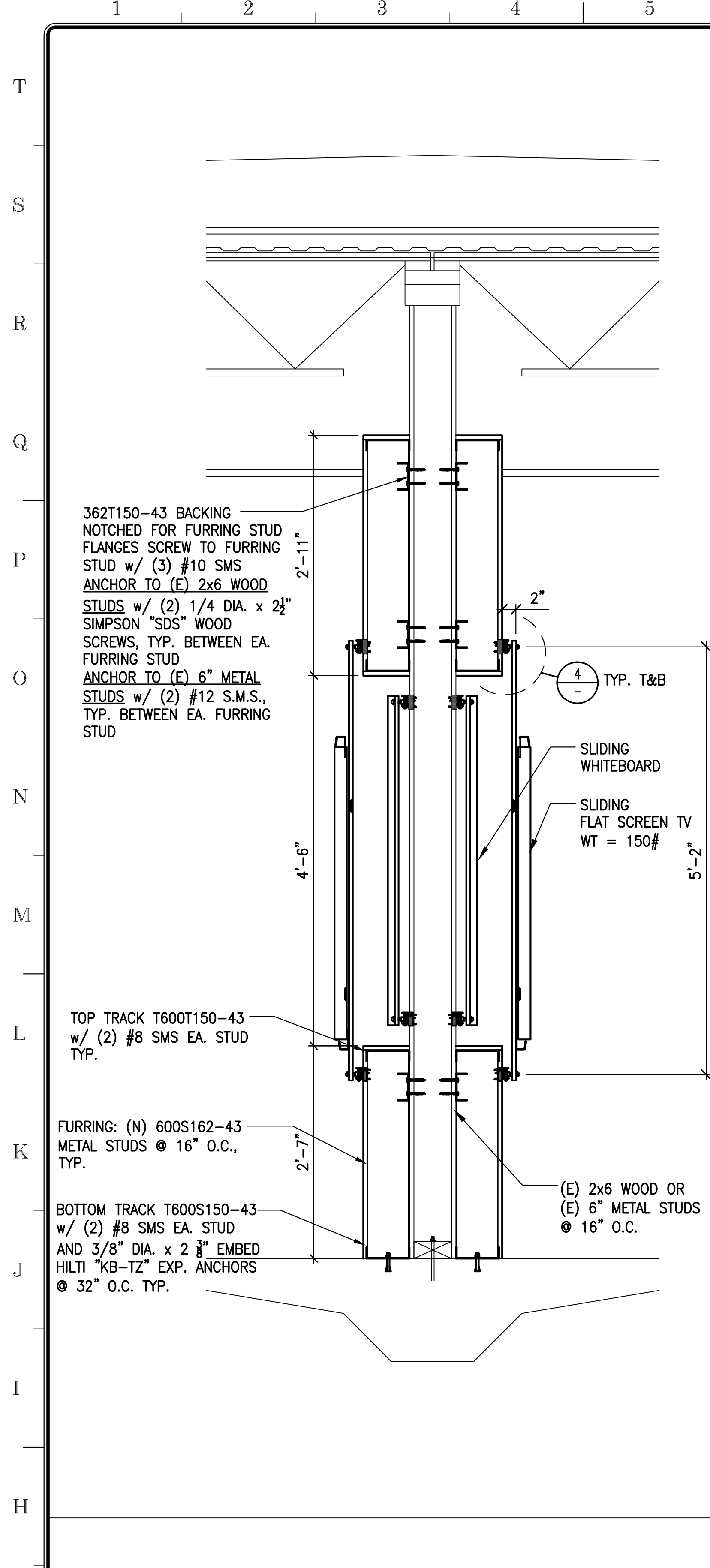
Sanders, INC.
Architecture/Engineering
 102 INDUSTRY WAY, SUITE A
 EL CENTRO, CA 92243
 760 353 5440 FAX 760 353 5442

Project Title
**IMPERIAL VALLEY COLLEGE
 BUILDING 200, 300 AND 800 MODERNIZATION**

Sheet Title
FLOOR PLAN - ARCHITECTURAL

	Document Date	Project Number
	09-13-19	19-121V
	Date Last Revised	Reference Sheet
01-20-21	A8.13	
	Sheet Number	
	AD-1_A8.13	





TV TRACK SYSTEM SECTION SCALE: 1/8" = 1'-0"

TV TRACK SYSTEM SECTION SCALE: 1/8" = 1'-0"

TV TRACK SYSTEM ELEVATION SCALE: 1/8" = 1'-0"

TV TRACK RAIL ANCHORAGE DETAIL SCALE: NTS

CONN. AT EXISTING FURRING SCALE: NTS

STRUCTURAL NOTES SCALE: NTS

CODE: 2019 C.B.C. (CALIFORNIA BUILDING CODE TITLE 24) BASED ON 2018 IBC

GRAVITY LOADS:

1. ROOF LIVE LOAD	20 P.S.F. (REDUCIBLE)
-------------------	-----------------------

SEISMIC DESIGN CRITERIA:

SEISMIC IMPORTANCE FACTOR, I _e	1.0
SEISMIC RISK CATEGORY	III
MAPPED SPECTRAL RESPONSE ACCELERATION, S _s	1.954g
MAPPED SPECTRAL RESPONSE ACCELERATION, S ₁	0.659g
SITE CLASS	D
DESIGN SPECTRAL RESPONSE ACCELERATION, S _{ds}	1.563g
DESIGN SPECTRAL RESPONSE ACCELERATION, S _{d1}	0.747g
SEISMIC DESIGN CATEGORY	D

COLD-FORMED METAL FRAMING:

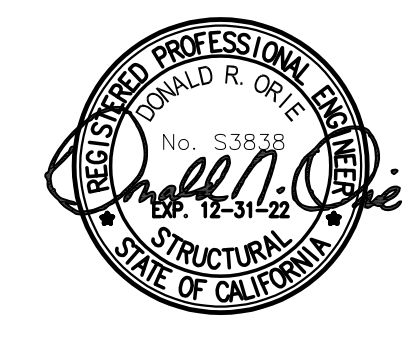
- COLD-FORMED STEEL CONSTRUCTION SHALL CONFORM TO THE CODE AND THE "NORTH AMERICAN SPECIFICATION FOR THE DESIGN OF COLD-FORMED STEEL STRUCTURAL MEMBERS", BY THE AMERICAN IRON AND STEEL INSTITUTE (AISI), AISI S100-12.
- COLD-FORMED METAL FRAMED SHALL BE GALVANIZED TO G60 MINIMUM AND CONFORM TO ASTM 1003 PER AISI S200-12A3. MINIMUM 50,000 PSI YIELD POINT FOR 16 GAUGE AND HEAVIER AND MINIMUM 35,000 PSI YIELD POINT FOR 18 GAUGE AND LIGHTER.
- DIMENSIONS, PROPERTIES, AND TYPES NOTED ARE BASED ON THE STEEL STUD MANUFACTURERS ASSOCIATION, ESR-3064P.
- SHEET METAL FASTENERS: SHEET METAL SCREWS "SMS" SHALL BE "GRABBER" BRAND

SELF-DRILLING/SELF-TAPPING SCREWS SHALL BE INSTALLED IN ACCORDANCE WITH ESR-1271.

- MINIMUM SPACING AND EDGE DISTANCE OF SCREWS SHALL BE 3/4" FOR ALL SCREWS U.N.O.
- ALL SHEET METAL SCREWS SHALL PROTRUDE THROUGH JOINED MATERIAL NOT LESS THAN (3) EXPOSED THREADS NOR LESS THAN 1/4".
- SEE ARCHITECTURAL AND STRUCTURAL DRAWINGS FOR SIZE AND GAUGE OF COLD-FORMED METAL FRAMING.
- ATTACH EACH STUD TO TRACK W/ (1) #10 SMS EA FLANGE, U.N.O. ON THE DRAWINGS.
- ADD BRIDGING AT 48" O.C. TO ALL STUDS, U.N.O., SEE ARCHITECTURAL DRAWINGS.
- ALL WELDING SHALL BE IN CONFORMANCE WITH AWS D1.3, "STRUCTURAL WELDING CODE -- SHEET STEEL". QUALIFICATION OF WELDERS SHALL BE IN ACCORDANCE WITH AWS D1.1, CHAPTER 4, PART C, "PERFORMANCE QUALIFICATION". USE E70XX ELECTRODES.

GENERAL NOTES:

- THE PROJECT SPECIFICATIONS ARE A PART OF THE CONTRACT DOCUMENTS.
- THE STRUCTURAL DRAWINGS ARE TO BE USED IN CONJUNCTION WITH ARCHITECTURAL DRAWINGS BY: SANDERS, INC. ARCHITECTURE / ENGINEERING
- THE CONTRACTOR SHALL REVIEW EXISTING CONDITIONS ON THE SITE DURING THE BIDDING. THE CONTRACTOR SHALL VERIFY ALL DIMENSIONS PRIOR TO STARTING WORK AND THE ARCHITECT AND ENGINEER SHALL BE NOTIFIED OF ANY DISCREPANCIES OR INCONSISTENCIES PRIOR TO PROCEEDING.
- UNLESS OTHERWISE SHOWN OR NOTED, ALL PHASES OF WORK ARE TO CONFORM TO THE MINIMUM STANDARDS OF THE 2019 CALIFORNIA BUILDING CODE (2019 EDITION C.B.C.), AND ANY A.S.T.M. SPECIFICATIONS WHICH THESE STANDARDS ARE BASED. WHERE CONFLICT BETWEEN BUILDING CODES AND SPECIFICATIONS OCCURS, THE MOST STRINGENT REQUIREMENTS SHALL GOVERN.
- ALL A.S.T.M. DESIGNATIONS REFERRED TO ON THESE DRAWINGS SHALL BE THE LATEST ADOPTED OR REVISED SPECIFICATION, AS OF THE DATE OF THESE DRAWINGS.
- ALL DIMENSIONS SHALL TAKE PRECEDENCE OVER SCALE SHOWN ON PLANS, SECTIONS AND DETAILS. DRAWINGS SHALL NOT BE SCALED FOR CONSTRUCTION PURPOSES.
- NOTES AND DETAILS ON THE DRAWINGS SHALL TAKE PRECEDENCE OVER GENERAL NOTES AND TYPICAL DETAILS.
- THE CONTRACT STRUCTURAL DRAWINGS AND SPECIFICATIONS REPRESENT THE FINISHED STRUCTURE. UNLESS OTHERWISE INDICATED, THEY DO NOT INDICATE THE METHOD OF CONSTRUCTION. THE CONTRACTOR SHALL PROVIDE ALL MEASURES NECESSARY TO PROTECT LIFE AND THE STRUCTURE DURING CONSTRUCTION. SUCH MEASURES SHALL INCLUDE, BUT NOT BE LIMITED TO BRACING AND SHORING OF LOADS DUE TO CONSTRUCTION, EQUIPMENT, WIND, EARTHQUAKE, ETC. CONTRACTOR AT HIS OWN EXPENSE, SHALL ENGAGE PROPERLY QUALIFIED PERSONS TO DETERMINE WHERE AND HOW TEMPORARY PRECAUTIONARY MEASURES SHALL BE USED AND INSPECT SAME IN FIELD. CONTRACTOR SHALL CONFORM TO ALL SAFETY ORDINANCES, RULES AND CODES. OBSERVATION VISITS TO THE SITE BY THE STRUCTURAL ENGINEER SHALL NOT INCLUDE INSPECTION OF THE ABOVE SAFETY ITEMS.
- SATISFACTORY EXECUTION OF CONSTRUCTION IS DEPENDENT UPON CONFORMANCE WITH THE INTENT OF THESE DRAWINGS. STRUCTURAL ENGINEER OF RECORD OR HIS REPRESENTATIVE SHALL OBSERVE THE CONSTRUCTION AND STATE THAT THE STRUCTURE HAS BEEN BUILT IN GENERAL CONFORMANCE WITH THE INTENT OF THESE DRAWINGS.
- THIS FIRM DOES NOT PRACTICE OR CONSULT IN THE FIELD OF SAFETY ENGINEERING. WE DO NOT DIRECT THE CONTRACTOR'S OPERATIONS AND WE CANNOT BE RESPONSIBLE FOR THE SAFETY OF PERSONNEL OTHER THAN OUR OWN ON THE SITE. THE SAFETY OF OTHERS IS THE RESPONSIBILITY OF THE CONTRACTOR. THE CONTRACTOR SHOULD NOTIFY THE OWNER IF HE CONSIDERS ANY OF THE RECOMMENDED ACTIONS PRESENTED HEREIN TO BE UNSAFE.
- WHERE NO CONSTRUCTION DETAILS ARE SHOWN OR NOTED FOR ANY PART OF THE WORK. THE DETAILS SHALL BE THE SAME AS FOR OTHER SIMILAR WORK.



APPROVALS

Sanders, Inc.
Architecture/Engineering
 102 INDUSTRY WAY, SUITE A
 EL CENTRO, CA 92243
 760 353 5440 FAX 760 353 5442

Project Title
**IMPERIAL VALLEY COLLEGE
 BUILDING 200, 300, AND 800 MOD TV TRACK SYSTEM**

STRUCTURAL DETAILS		Document Date 06-07-21	Project Number
		Date Last Revised	Sheet Number
			AD-2_S10